

SSS14a

SSS14c

SIDE

FRONT

(OPTION) ROTATED 180 DEG.

OMNI-DIRECTIONAL  
(ONE POST)



BI-DIRECTIONAL  
(TWO & THREE POST)



↑  
DIRECTION OF  
TRAFFIC

TOP

SSS14b Not Shown  
Not To Scale

SLIP-SAFE U-CHANNEL SIGN SUPPORT



SSS14a-c

SHEET NO.	DATE:
1 of 6	05/01/2012

### INTENDED USE

The Slip Safe Breakaway Sign Support is to be used where a breakaway u-channel slip splice coupling device is needed. One, two, or three posts may be used in an 82 5/8 in. [2100 mm] span in strong or weak soil. A one-post support with the slip splice may be used as an omni-directional device when approaching traffic is expected from various directions. Casting base can also be combined in configuration between square tube and U-channel sign supports. (Shown in SSS13a-c) For example, a square base post and casting can mate with a U-channel top post and casting.

### COMPONENTS

The system consists of an upper and lower section, each consisting of a square tube or u-channel post and casting. For square tube lower, the slip base castings are connected to the post sections via (2) 3/8 x 2 1/2 in. [9.5 x 64 mm] standard Grade 5 bolt each with (1) flat washer, (1) lock washer and (1) flange nut or standard corner bolt. For U-Channel upper or lower, the base castings are connected via (2) 5/16 x 1 3/8 in. [8 x 35 mm] hex head bolts each with (1) 5/16 in. [8 mm] SAE Thru-Hard washer and (1) locking flange nut. A 28ga [.4 mm] thick keeper plate separates the upper & lower base castings. The slip plate is secured on each end with a C-Bracket. Each C-Bracket connects the slip base castings and slip plate via (1) 9/16 x 2 in. [14 x 51 mm] hex head bolts, each with (1) lock washer and (1) standard hex nut.

The SSS14 system casting will support 3 lb/ft through 4lb/ft [4.46 or 5.95 kg/m] u-channel sign top posts (PFP05-06). Base posts are recommended to be 4lb/ft u-channel posts (PFP06). The SSS14 system casting with u-channel top post can also be attached to the system base casting when a 2.5 in [64 mm] square tube base post is used.

A soil stabilization plate (PLS02) is available for situations when additional soil support is needed. The plate's primary function is providing increased stability to the base post for greater wind load carrying purposes, and increasing the integrity of the base post during vehicular impact. The soil plate is required in soft soil and is optional in all other configurations. The soil plate (PLS02) connected to post via (2) 5/16 x 2 1/2 in. [8 x 65 mm] 18unc Grade 5 or better hex head bolt with standard hex nut. Galvanized hardware is preferred.

## SLIP-SAFE U-CHANNEL SIGN SUPPORT

**SSS14a-c**

SHEET NO.

DATE

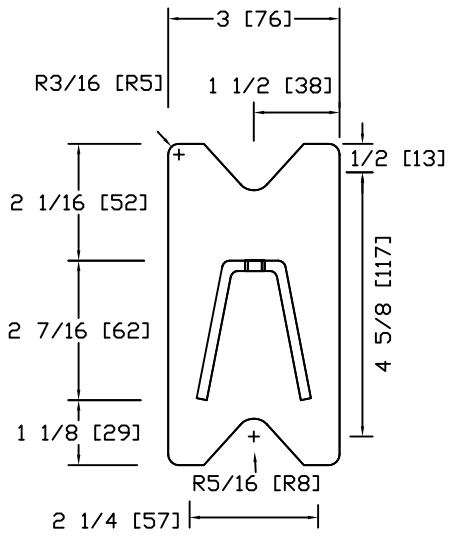
2 of 6

05/01/2012

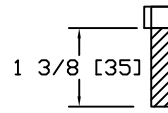
**NUCOR**

**BAR MILL GROUP**

**NUCOR STEEL MARION, INC.**

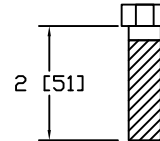


TOP VIEW



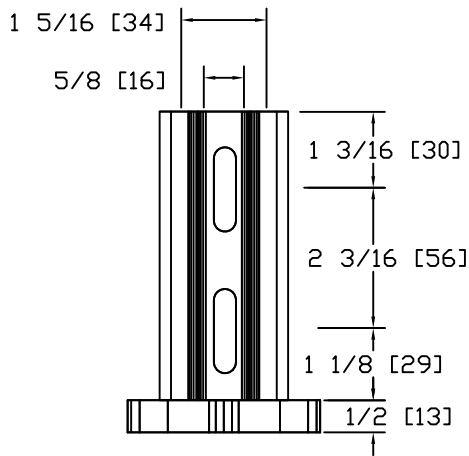
5/16 [8] HEX HEAD  
BOLT WITH FLATWASHER  
& LOCKING FLANGED NUT

SIGNPOST BOLT

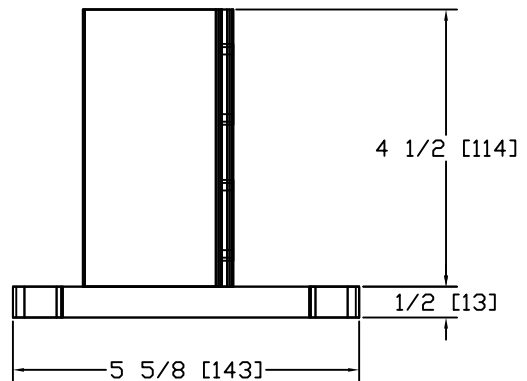


9/16 [14] HEX HEAD BOLT  
WITH LOCK WASHER & NUT

CASTING BOLT



END VIEW



SIDE VIEW

UNITS: IN [MM]

SLIP-SAFE U-CHANNEL SIGN SUPPORT



SSS14a-c

SHEET NO.	DATE:
3 of 6	05/01/2012

**APPROVALS**

FHWA Acceptance Letter SS-69, September 18, 1996

FHWA Acceptance Letter SS-69A, April 4, 1997

**SLIP-SAFE U-CHANNEL SIGN SUPPORT**

**SSS14a-c**

**NUCOR**

**BAR MILL GROUP**

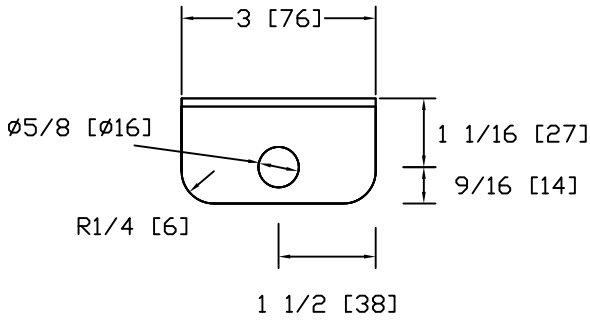
**NUCOR STEEL MARION, INC.**

SHEET NO.

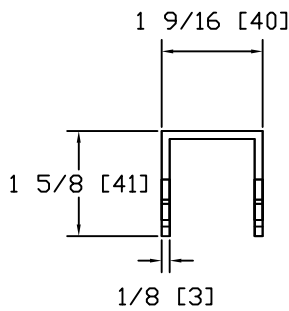
DATE

4 of 6

05/01/2012

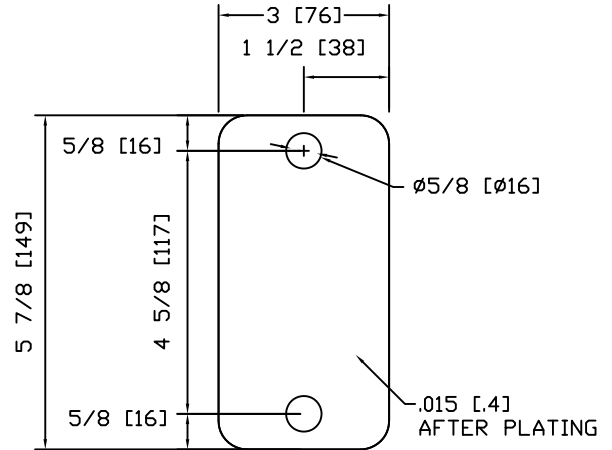


TOP VIEW



END VIEW

BRACKET



TOP VIEW

KEEPER PLATE

UNITS: IN [MM]

SLIP-SAFE U-CHANNEL SIGN SUPPORT



SSS14a-c

SHEET NO.	DATE:
5 of 6	05/01/2012

**CONTACT INFORMATION**

The Nucor Steel Marion Inc.,  
912 Cheney Avenue  
Marion, Ohio 43301-1801  
(800) 333-4011  
(740) 383-6429 Fax  
**www.nucorhighway.com**

*\* All Nucor Steel Marion Inc. products are produced from 100% recycled steel.*



**SLIP-SAFE U-CHANNEL SIGN SUPPORT**

**SSS14a-c**

**NUCOR**

**BAR MILL GROUP**

**NUCOR STEEL MARION, INC.**

SHEET NO.

DATE

6 of 6

05/01/2012