

SSS13b Not Shown

SLIP-SAFE SQUARE TUBE SIGN SUPPORT

NUCOR
 BAR MILL GROUP
 NUCOR STEEL MARION, INC.

SSS13a-c

SHEET NO.	DATE:
1 of 4	05/17/07

INTENDED USE

The Slip Safe Breakaway Sign Support is to be used where a breakaway square tube slip splice coupling device is needed. One, two, or three posts may be used in a 82 5/8 [2100] span in strong or weak soil. A one-post support with the slip splice may be used as an omni-directional device when approaching traffic is expected from various directions. Casting base can also be combined in any configuration between square tube and U-channel sign supports. For example, a square base post and casting can mate with a U-channel top post and casting or vice versa.

COMPONENTS

The system consists of an upper and lower section, each consisting of a square tube or u-channel post and casting. If it is a square tube, the slip base castings are connected to the post sections via a 3/8 x 2 1/2 [9.5 x 64] standard grade 5 bolt each with (1) flat washer, (1) lock washer and (1) flange nut or standard corner bolt. If it is a U-Channel, the base castings are connected via a 5/16 x 1 3/8 [7.9 x 35] socket head cap screw each with (1) flat washer, (1) lock washer and (1) flange nut. A 28ga [.4] thick slip plate separates the upper & lower base castings. The slip plate is secured on each end with a C-Bracket. Each C-Bracket connects the slip base castings and slip plate via 9/16 x 2 [14 x 51] hex head bolts, each with (2) flat washers, (2) lock washers and (1) flange nut.

The SSS13 system casting will support 2.5 [64] square tube top posts (PTP24, PTP44). (Nesting short sections of square tube posts to neck down top post size to a 2.25, 2, 1.75 [57,51,45] is acceptable). Base posts are recommended to be 2.5 [64] square tube posts. The SSS13 system casting with square tube top post can be attached to the SSS14 system casting with a 4 lb/ft [5.95kg/m] u-channel post base posts (PFP06).

APPROVALS

FHWA Acceptance Letter [SS-103](#), 12/14/2001

REFERENCES

L.A. Staron, "Breakaway Sign Supports," Geometric and Roadside Design Acceptance Letter SS-13, Federal Highway Administration, Washington, D.C., October 2, 1989.

L.A. Staron, "Breakaway Sign Supports," Geometric and Roadside Design Acceptance Letter SS-13, Federal Highway Administration, Washington, D.C., July 13, 1996.

S.I. Sillan, "Breakaway Sign Supports," Geometric and Roadside Design Acceptance Letter SS-13, Federal Highway Administration, Washington, D.C., March 14, 1996.

SLIP-SAFE SQUARE TUBE SIGN SUPPORT

SSS13a-c

SHEET NO.

DATE

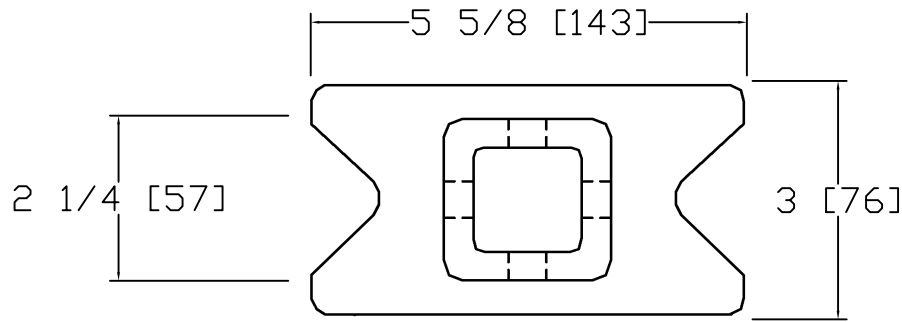
2 of 4

05/17/2007

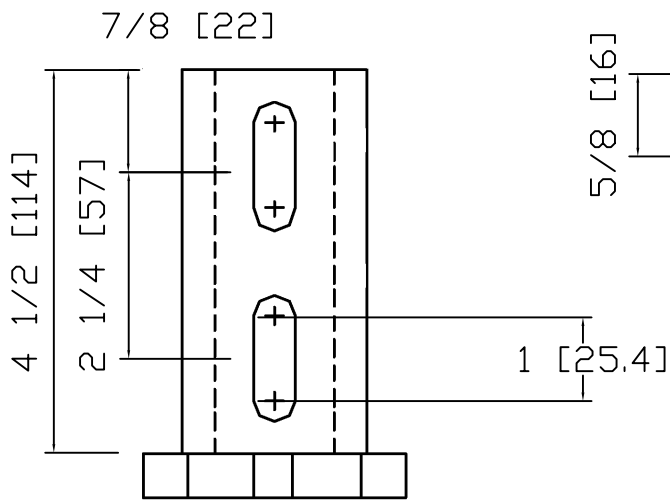
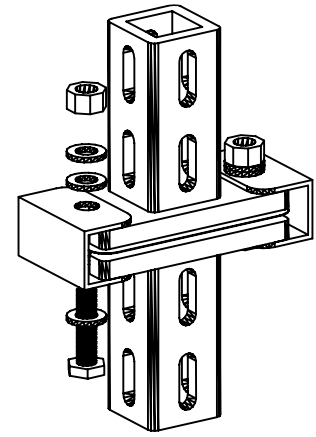
NUCOR

BAR MILL GROUP

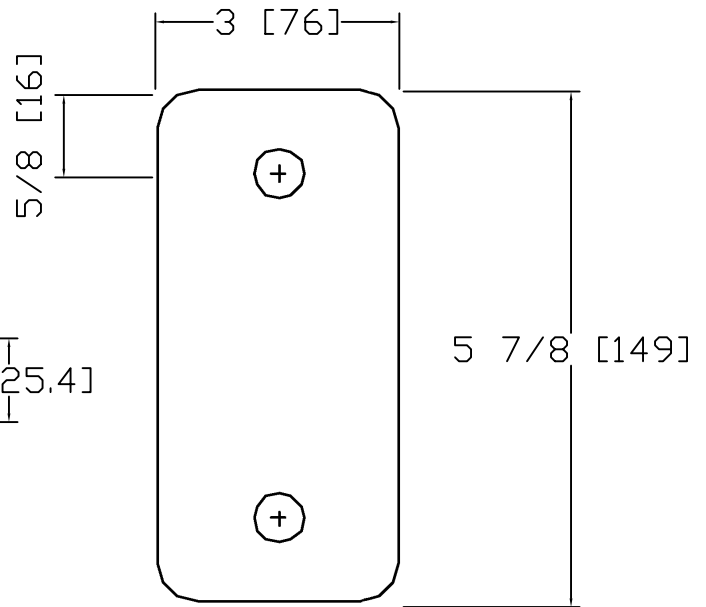
NUCOR STEEL MARION, INC.



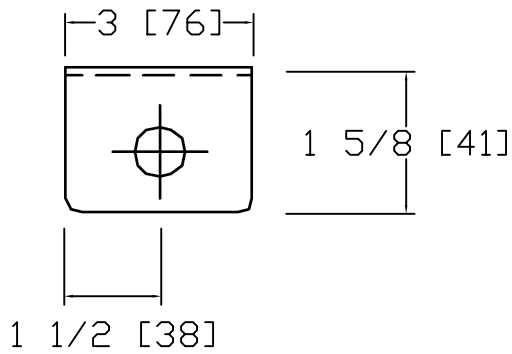
TOP



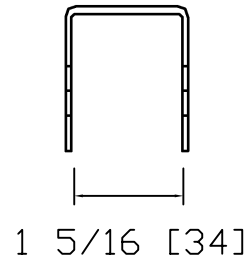
END



KEEPER PLATE



C BRACKET



SLIP-SAFE SQUARE TUBE SIGN SUPPORT

NUCOR
 BAR MILL GROUP
 NUCOR STEEL MARION, INC.

SSS13a-c

SHEET NO.

DATE:

3 of 4

05/17/07

CONTACT INFORMATION

The Nucor Steel Marion Inc., 912 Cheney Avenue, Marion, Ohio 43301-1801
(800) 333-4011
(740) 383-6429 Fax
www.nsmarion.com

** All Nucor Steel Marion Inc. products are produced from 100% recycled steel.*



SLIP-SAFE SQUARE TUBE SIGN SUPPORT

SSS13a-c

NUCOR

**BAR MILL GROUP
NUCOR STEEL MARION, INC.**

SHEET NO.

DATE

4 of 4

05/17/2007