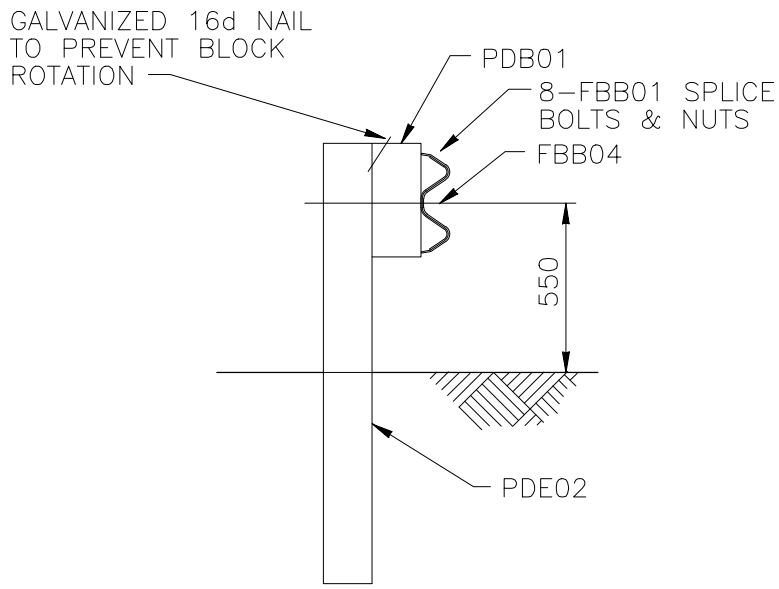


ALTERNATE PLAN



SECTION

1994

WIDE BULLNOSE MEDIAN BARRIER TERMINAL

SEW10

SHEET NO.

REF. NO.

3 of 4