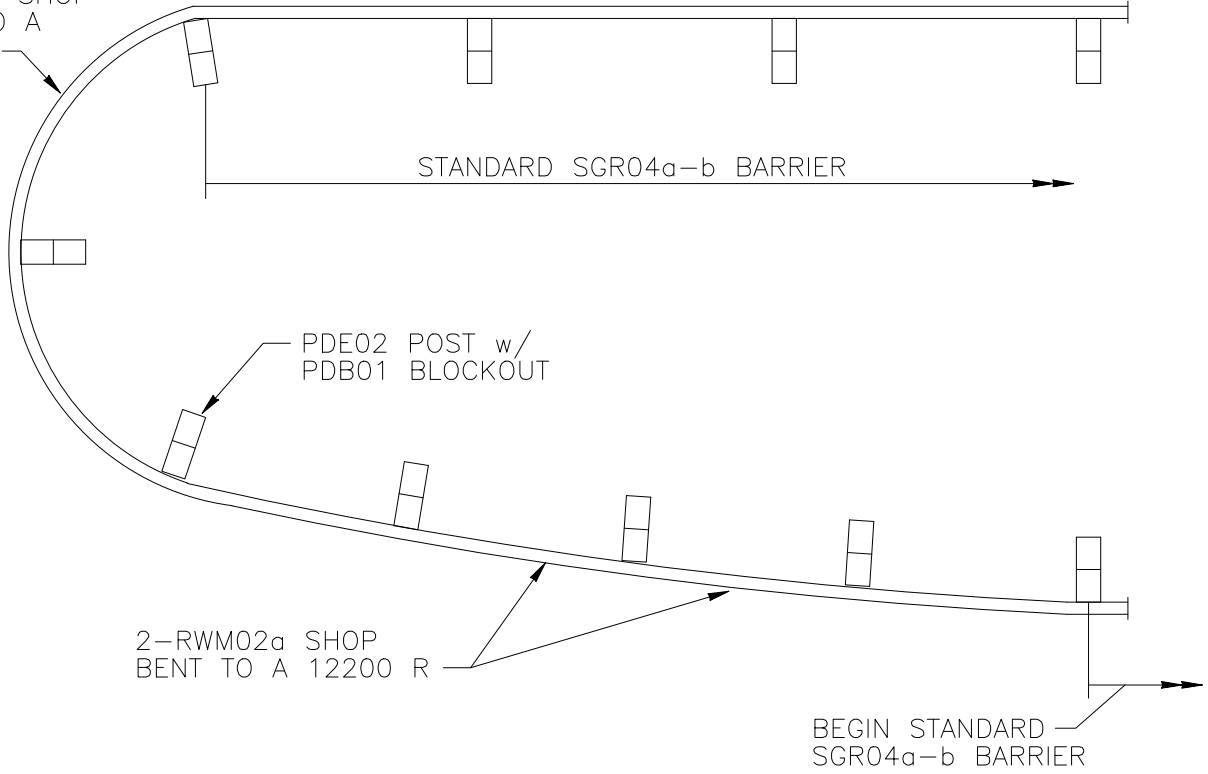


RWM02a SHOP
BENT TO A
1525 R



PDE02 POST w/
PDB01 BLOCKOUT

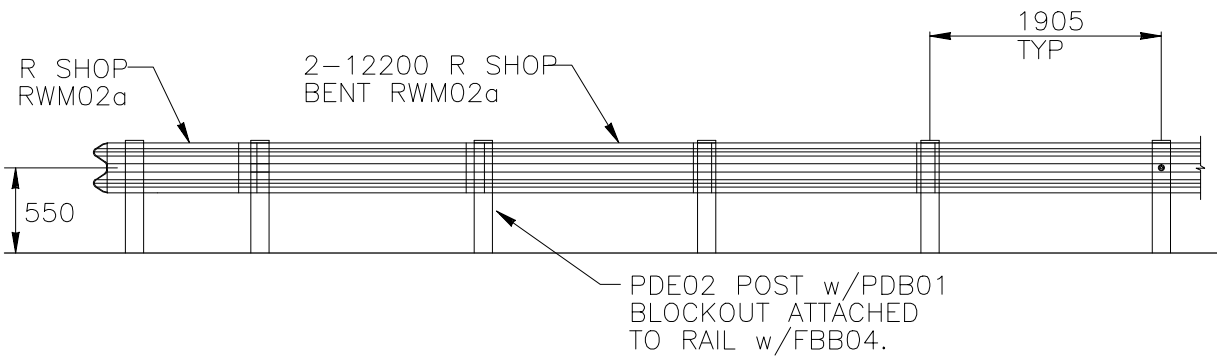
2-RWM02a SHOP
BENT TO A 12200 R

BEGIN STANDARD
SGR04a-b BARRIER

PLAN

1525 R SHOP
BENT RWM02a

2-12200 R SHOP
BENT RWM02a



PDE02 POST w/PDB01
BLOCKOUT ATTACHED
TO RAIL w/FBB04.

ELEVATION

1994

WIDE BULLNOSE MEDIAN BARRIER TERMINAL

SEW10

SHEET NO.

REF. NO.

1 of 4