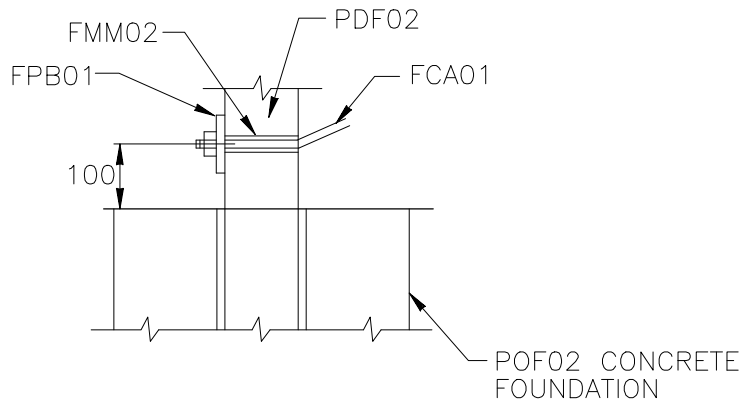


DETAIL A: ANCHOR CABLE ASSEMBLY



DETAIL B

BULLNOSE MEDIAN BARRIER TERMINAL

SEW09

SHEET NO.

REF. NO.

4 of 4