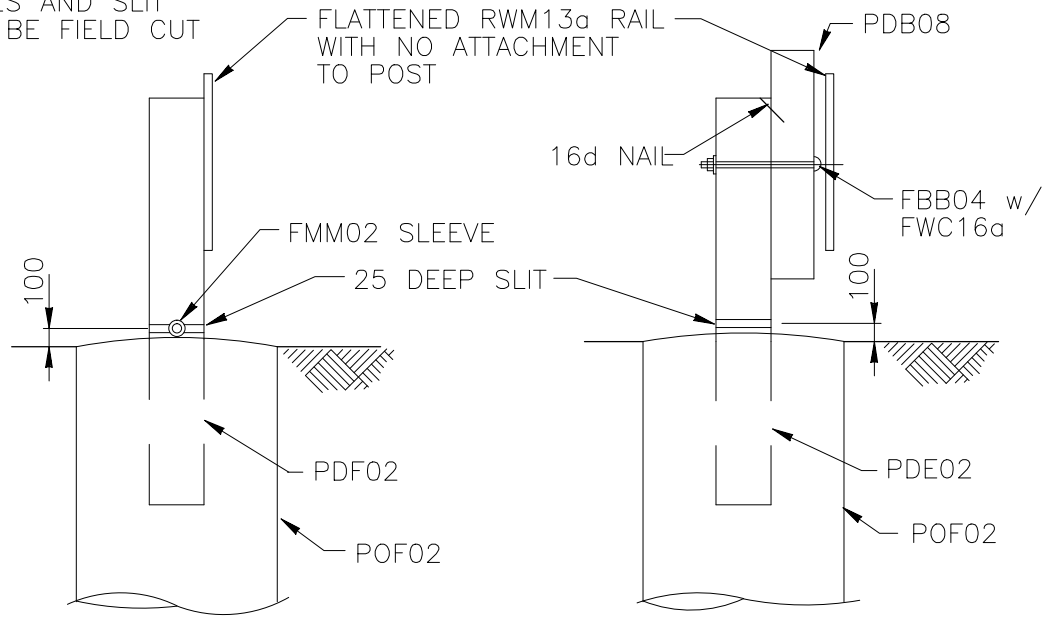
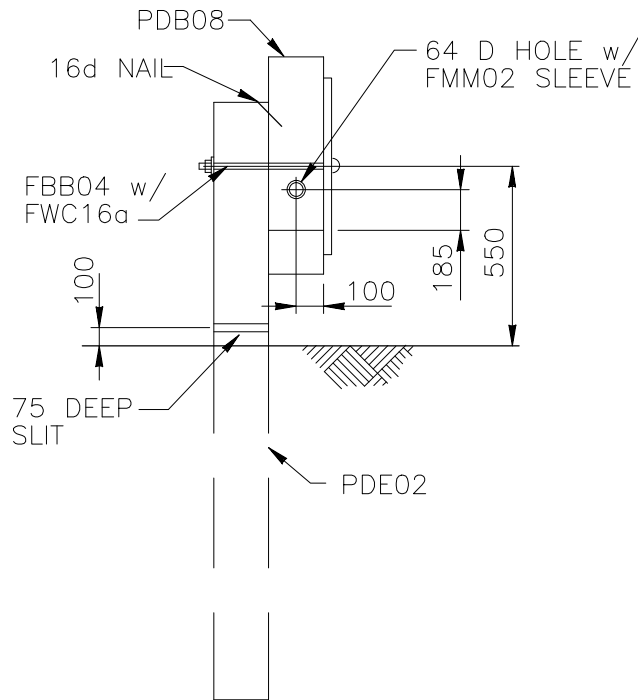


NOTE: HOLES AND SLIT
MAY BE FIELD CUT



POST 2

POST 4



POST 3 & 5

BULLNOSE MEDIAN BARRIER TERMINAL

SEW09

SHEET NO.

REF. NO.

3 of 4