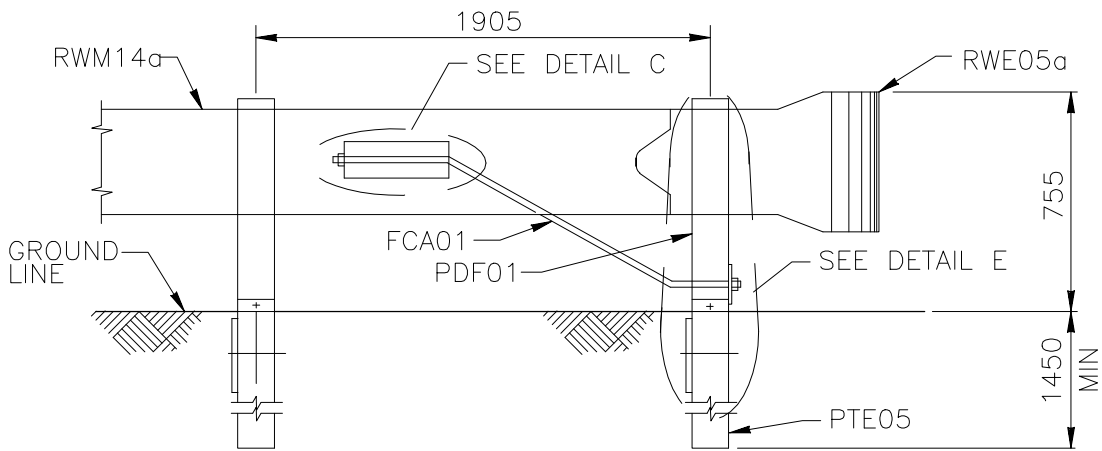


PLAN



ELEVATION

DETAIL A: BUFFERED END & ANCHORAGE—SEW03a

STEEL-POST BREAKAWAY CABLE TERMINAL

SEW04a-b

SHEET NO.

REF. NO.

3 of 8