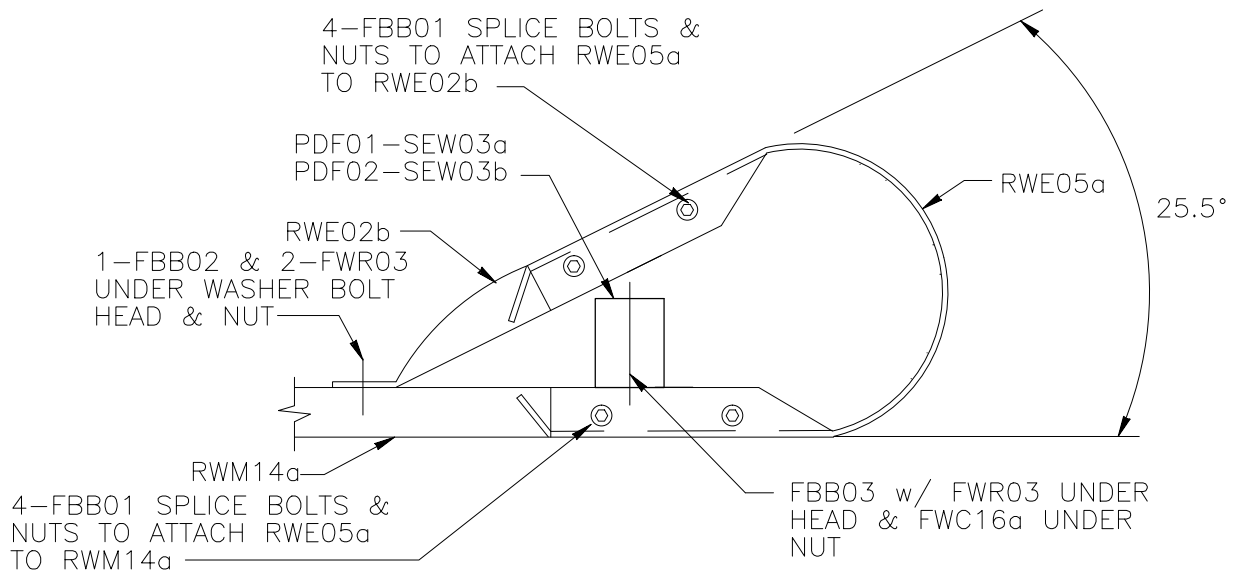


DETAIL C: ANCHOR PLATE ASSEMBLY DETAILS



DETAIL D: END SECTION ASSEMBLY DETAILS

TIMBER-POST BREAKAWAY CABLE TERMINAL

SEW03a-b

SHEET NO.

REF. NO.

6 of 8