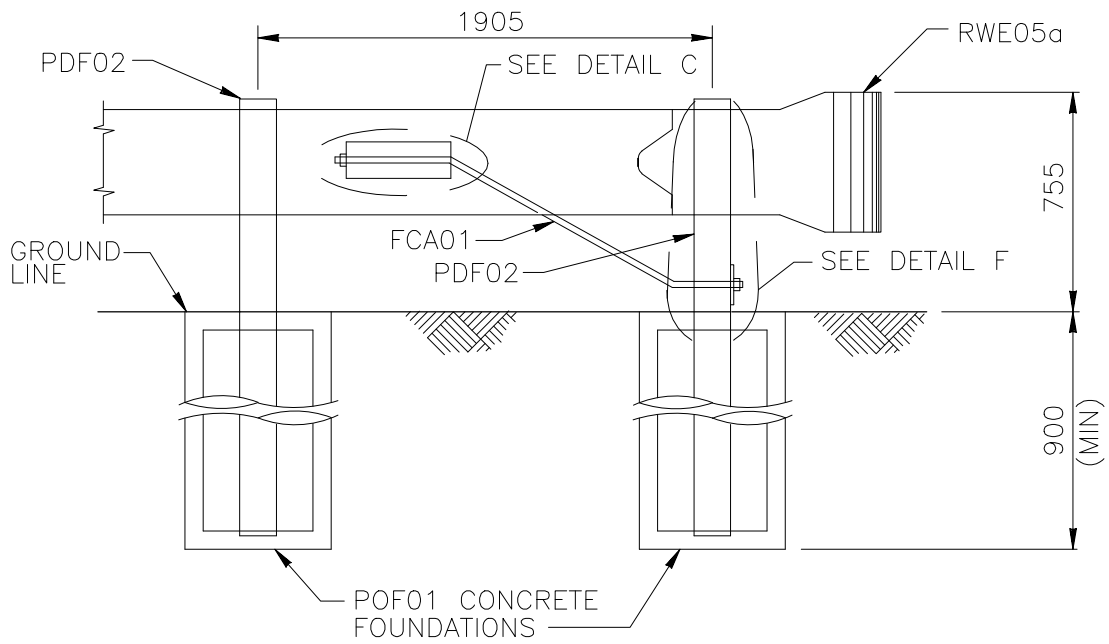


PLAN



ELEVATION

DETAIL B: BUFFERED END & ANCHORAGE—SEW03b

TIMBER-POST BREAKAWAY CABLE TERMINAL

SEW03a-b

SHEET NO.

REF. NO.

5 of 8