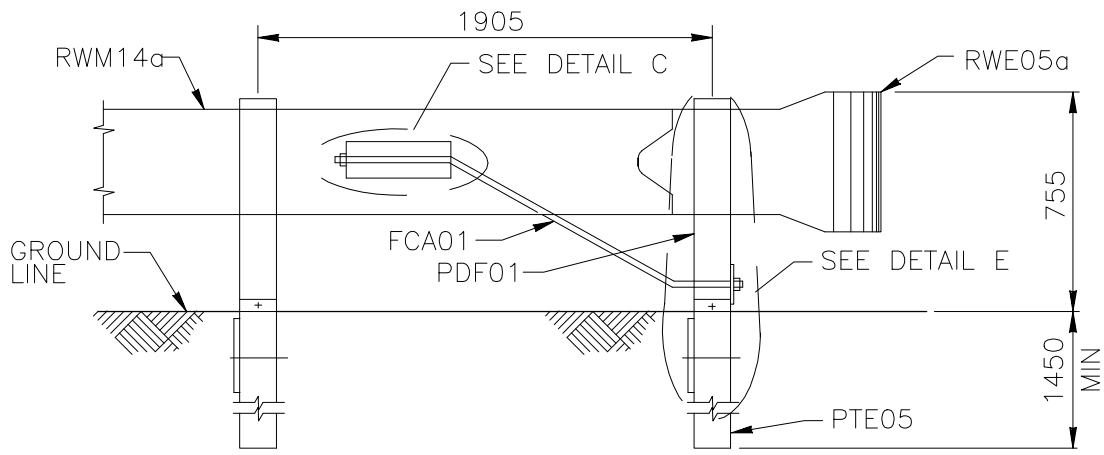


PLAN



ELEVATION

DETAIL A: BUFFERED END & ANCHORAGE—SEW03a

TIMBER-POST BREAKAWAY CABLE TERMINAL

SEW03a-b

SHEET NO.

REF. NO.

3 of 8