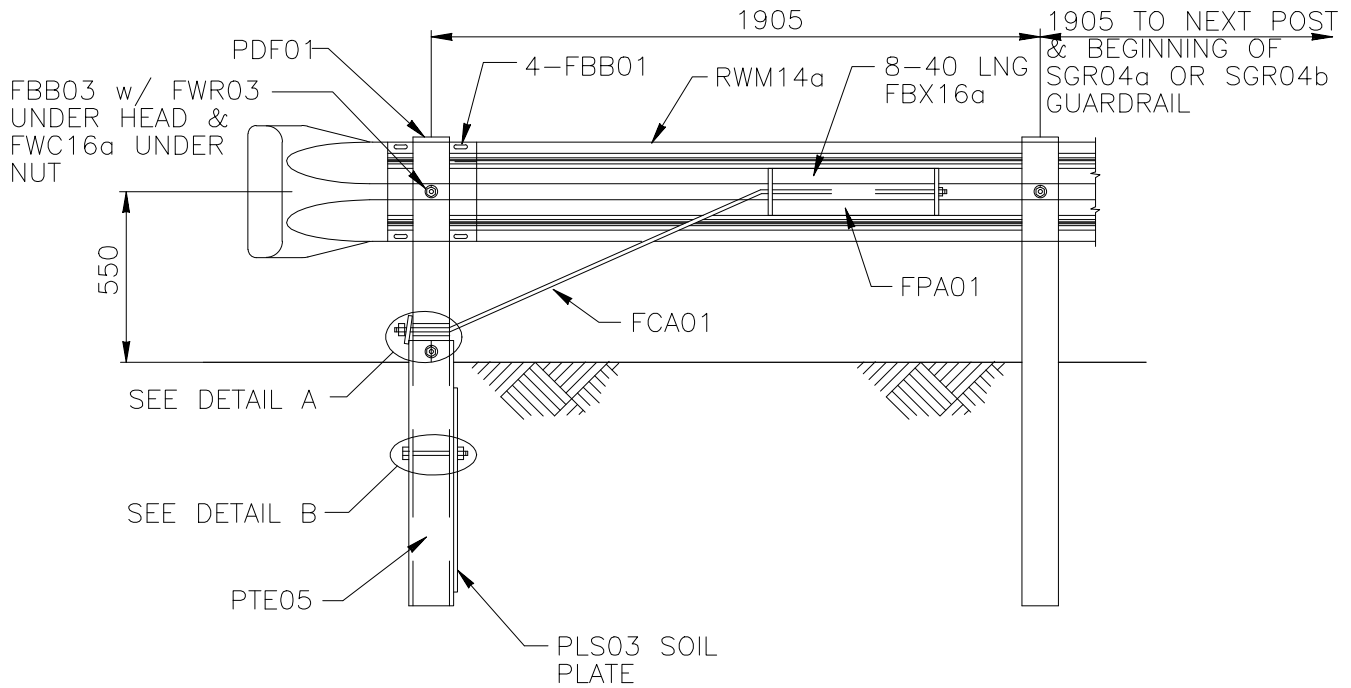
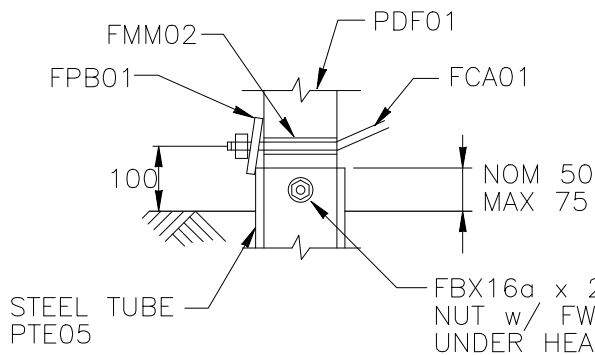


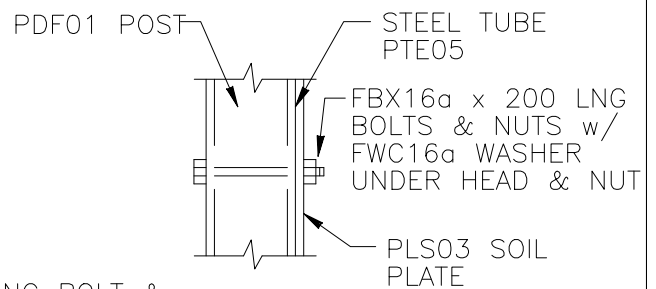
PLAN



ELEVATION



DETAIL A



DETAIL B

1994

TRAILING END TERMINAL—FOUNDATION TUBE OPTION

SEW02a

SHEET NO.

REF. NO.

1 of 2