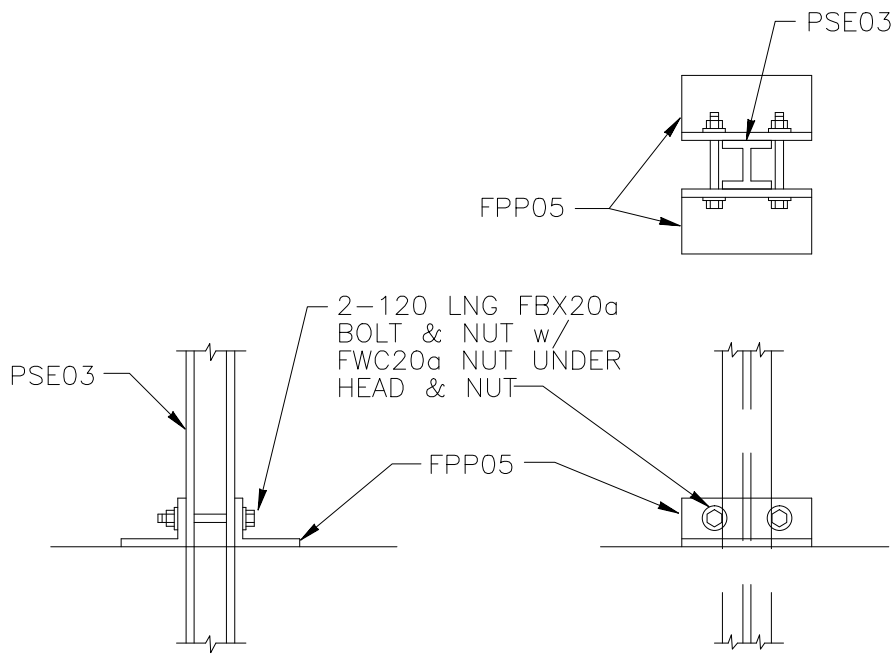


DETAIL B: RAIL-POST ATTACHMENT



DETAIL A: DRIVEWAY POST ASSEMBLY

WEAK-POST W-BEAM TERMINAL

SEW01

SHEET NO.

REF. NO.

3 of 4