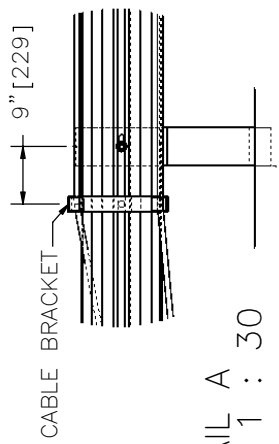
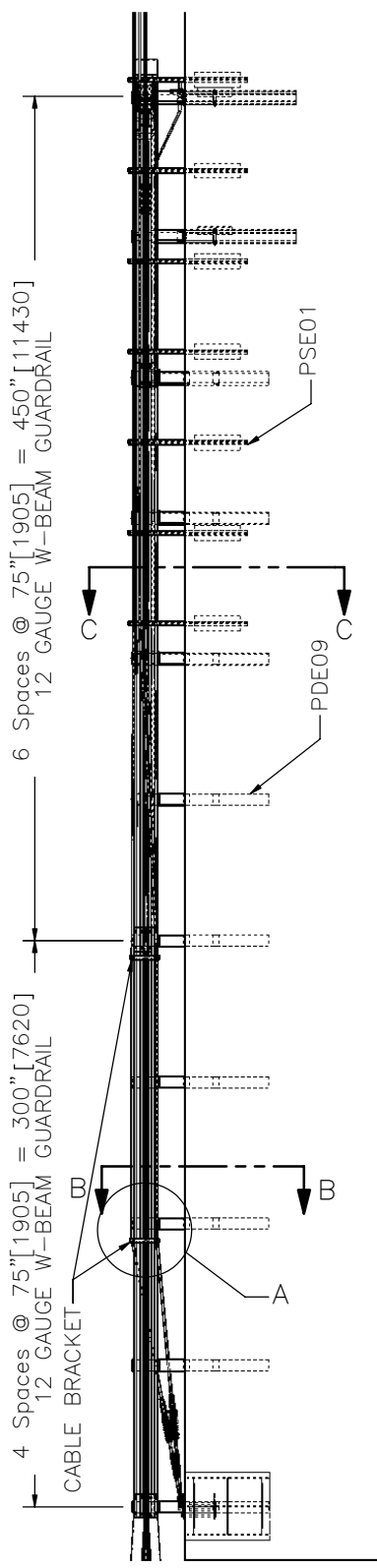
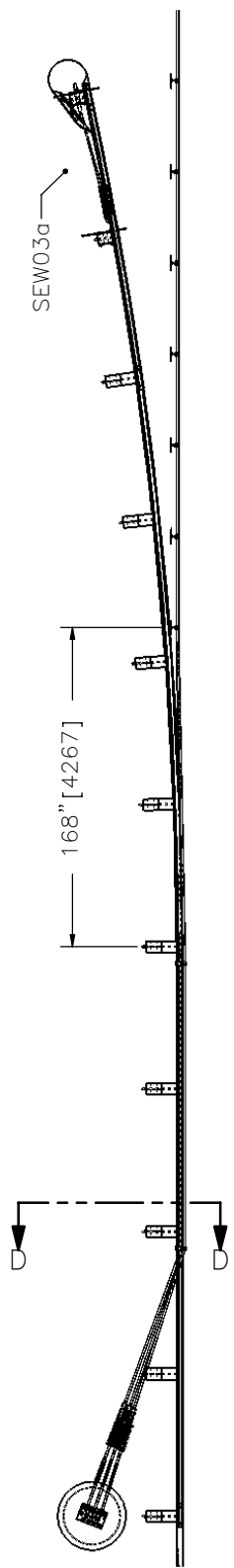


PLAN



ELEVATION

DETAIL A
SCALE 1 : 30

THREE CABLE TRANSITION TO BCT END TERMINAL



SDC01

SHEET NO.	DATE:
1 of 8	8/31/2007

INTENDED USE

Three Cable Guardrail Transition to BCT Terminal should be used in locations where three cable barrier transitions to strong-post, W-beam guardrail. This transition system is TL-3 NCHRP 350 accepted.

COMPONENTS

Unit Length = 62'-6" [19050]

DESIGNATOR	COMPONENT	SYSTEM	NUMBER
FBB01	Guardrail splice bolts and nuts		12
FBB04	Guardrail post bolts and nuts		9
FBH01	Cable hooks		48
PDB01	Timber blackout		9
PDE09	CRT timber guardrail post		9
PSE01	Cable guardrail post		16
RCM01	3x7 wire rope		3
RWM22a	W-beam rail		2
SEW03a	Breakaway cable terminal (BCT)		1
-----	16D double head nail		9
-----	Cable anchor bracket		1
-----	Cable bracket		2
-----	Spring cable end assembly		1
FNS20	Square nuts		6
RCE01	Compensating end assembly		3
-----	18" threaded rod		3

ACCEPTANCE

FHWA Acceptance Letter B-147, May 8, 2006

REFERENCES

Faller, R.K., Sicking, D.L., Rohde, J.R., Holloway, J.C., Keller, E.A., and Reid, J.D., Crash Testing of South Dakota's Cable Guardrail to W-Beam Transition, South Dakota Report No. SD98-16, Final Report to the South Dakota Department of Transportation, Transportation Research Report No. TRP-03-80-98, Project No. SPR-3(017), Midwest Roadside Safety Facility, University of Nebraska-Lincoln, December 4, 1998.

CONTACT INFORMATION

Midwest Roadside Safety Facility
 E527 Nebraska Hall
 Lincoln, NE 68588-0529
 (402) 472-0965
 Email: mwrsf@unl.edu
 Website: <http://mwrsf.unl.edu/>



THREE CABLE TRANSITION TO BCT END TERMINAL

SDC01

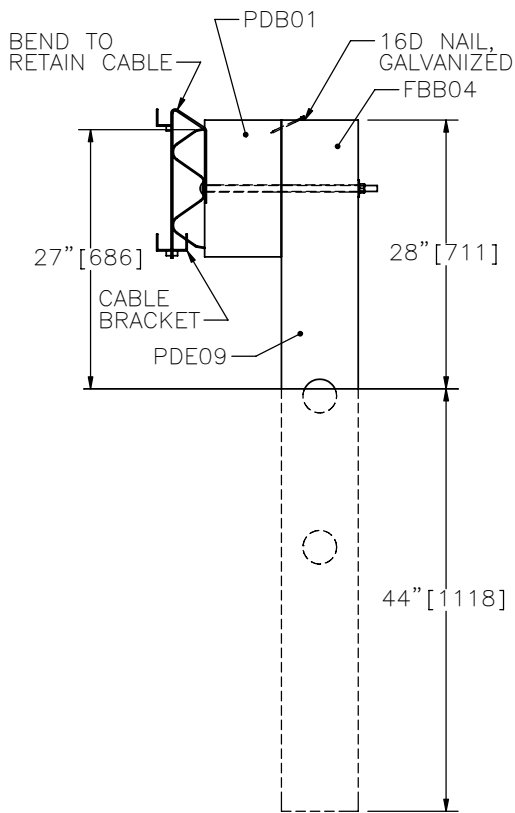


SHEET NO.

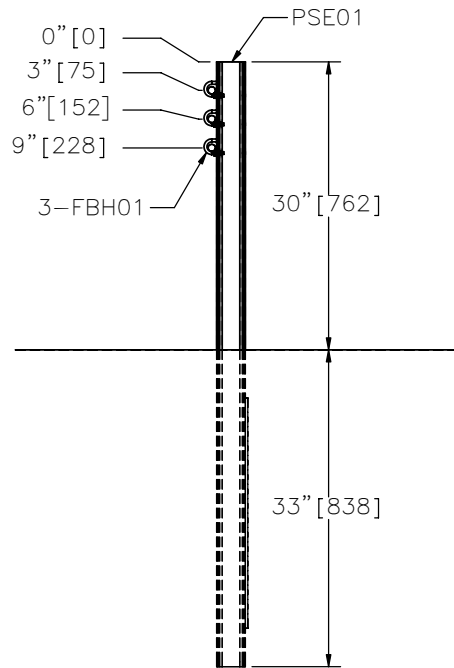
DATE:

2 of 8

8/31/2007

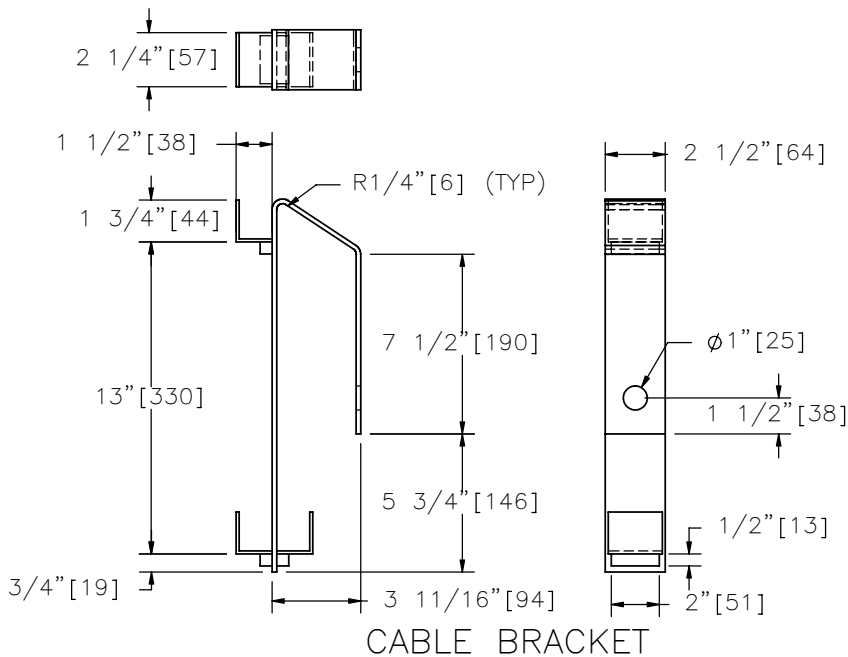


SECTION B-B



SECTION C-C

NOTE: CABLES HAVE BEEN OMITTED IN SECTIONS B-B AND C-C



CABLE BRACKET

THREE CABLE TRANSITION TO BCT END TERMINAL



STC01

SHEET NO.

DATE:

3 of 8

8/31/2007

PAGE INTENTIONALLY LEFT BLANK

THREE CABLE TRANSITION TO BCT END TERMINAL

SDC01



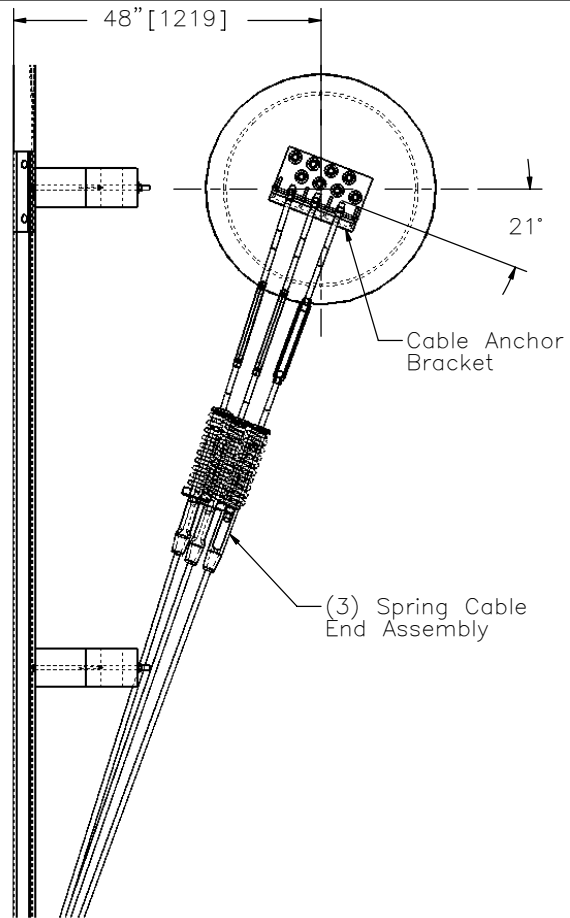
SHEET NO.

DATE:

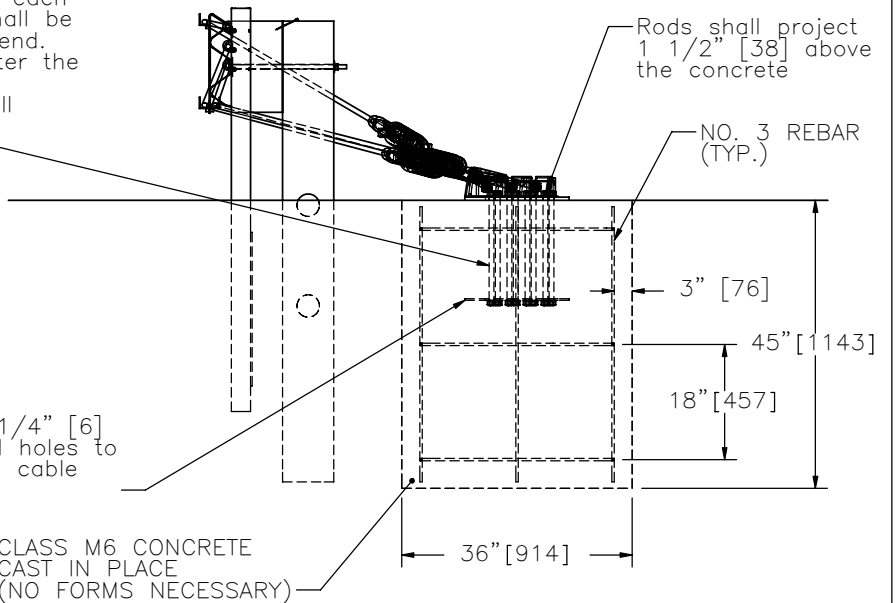
4 of 8

8/31/2007

SECTION D-D
(CONCRETE ANCHOR AND
CABLE ANCHOR BRACKET)



8-3/4" [19] round 18" [457] long steel rods shall conform to ASTM A449 and the top 6" of the rods shall be galvanized in accordance with ASTM A159. Provide heavy hex nuts at each end of rod and a flat washer shall be placed on each rod on the top end. The threads shall be punched after the top nuts are installed to prevent rotation. The heavy hex nuts shall conform to ASTM A653.



6" [152] x 14" [356] x 1/4" [6] Steel Plate. Punch or drill holes to the same plan pattern as cable anchor bracket.

THREE CABLE TRANSITION TO BCT END TERMINAL



SDC01

SHEET NO.

DATE:

5 of 8

8/31/2007

DESIGN DETAILS FOR CABLE GUARDRAIL TO W-BEAM TRANSITION

SOUTH DAKOTA DEPARTMENT OF TRANSPORTATION

<u>NAME</u>	<u>PLATE NO.</u>
W-BEAM TO 3 CABLE TRANSITION (NEW CABLE OR RESET CABLE ONLY)	350 TEST
3 CABLE GUARDRAIL	629.01
W-BEAM TO 3 CABLE TRANSITION	629.05
W-BEAM TO 3 CABLE TRANSITION BRACKET	629.15
W-BEAM GUARDRAIL POST INSTALLATION	630.31
W-BEAM GUARDRAIL INSTALLATION	630.32
W-BEAM GUARDRAIL, RAIL SPLICE, AND HARDWARE	630.33
W-BEAM TERMINAL CONNECTOR AND 1" STEEL WASHER	630.35
W-BEAM GUARDRAIL BREAKAWAY CABLE TERMINAL	630.47

NOTE: Drawings are available through the South Dakota Department of Transportation at:
<http://www.sddot.com/pe/roaddesign/plates.asp>

THREE CABLE TRANSITION TO BCT END TERMINAL

SDC01



SHEET NO.

DATE:

6 of 8

8/31/2007

PAGE INTENTIONALLY LEFT BLANK

THREE CABLE TRANSITION TO BCT END TERMINAL

SDC01



SHEET NO.

DATE:

8 of 8

8/31/2007