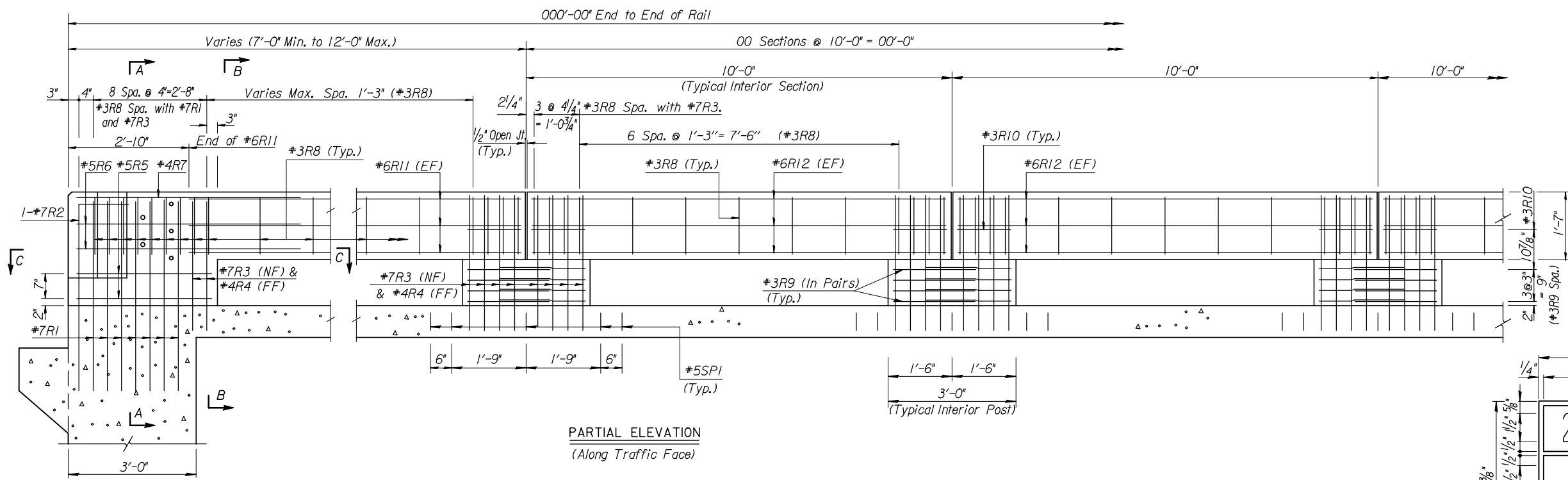
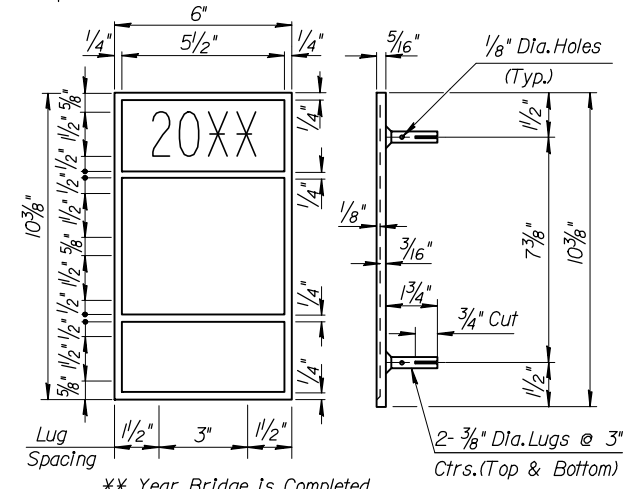


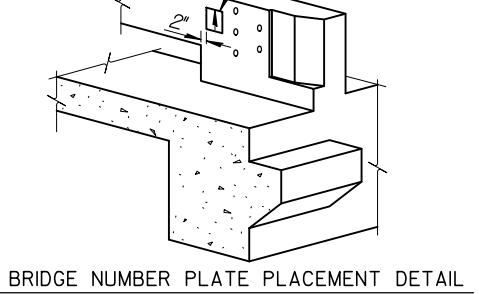
STATE	PROJECT NO.	YEAR	SHEET NO.	TOTAL SHEETS
KANSAS				



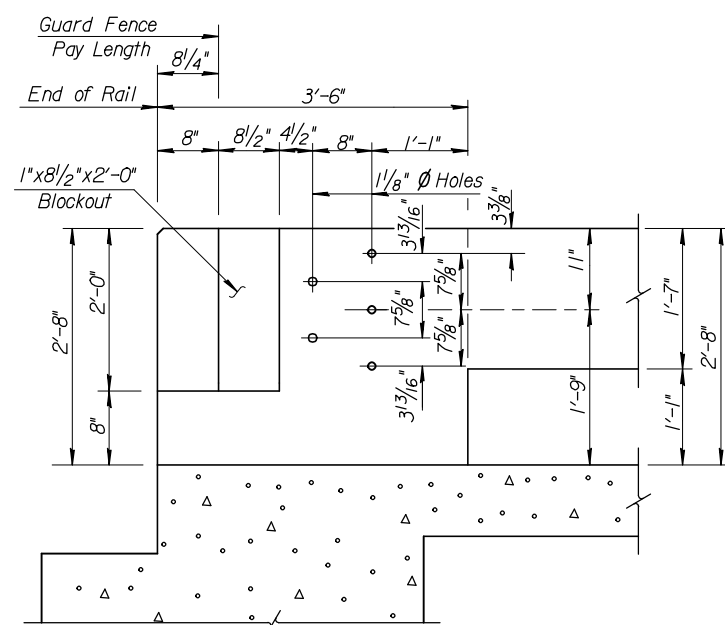
PARTIAL ELEVATION
(Along Traffic Face)



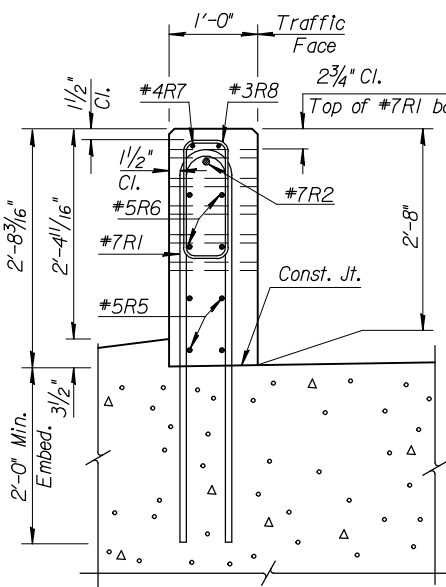
BRIDGE NUMBER PLATE
(1 Required)
(See Construction Layout for Location)
Bridge No. Plate
(See Construction Layout for Location)



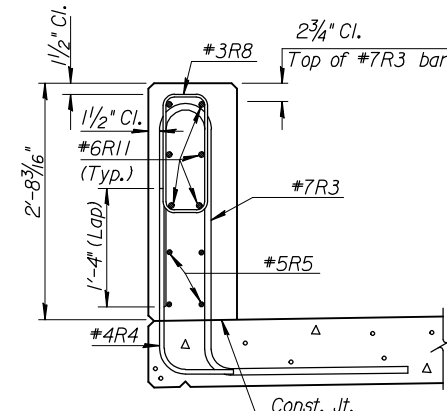
BRIDGE NUMBER PLATE PLACEMENT DETAIL



ELEVATION
(Dimensions at traffic face of rail.)

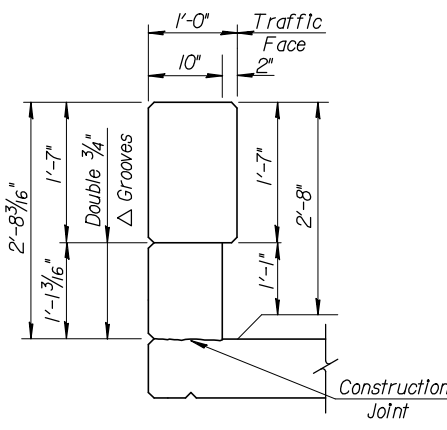


SECTION A-A

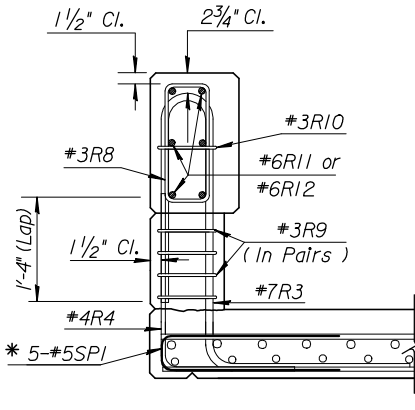


SECTION B-B

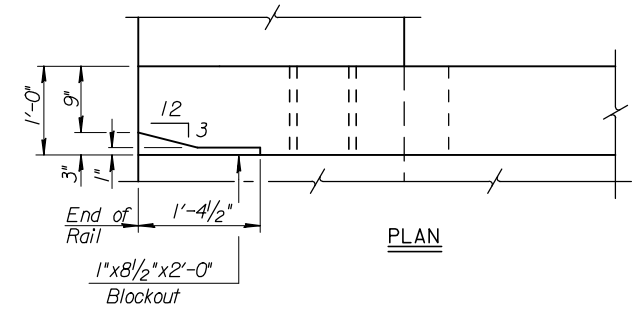
* Note:
The hook may be canted to provide clearance and/or fit between reinforcing.



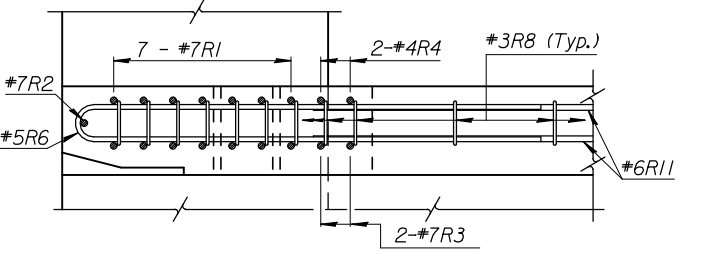
TYPICAL INTERIOR POST



SECTION THRU POST



PLAN



SECTION C-C

Std. Base File: br182c.dgn
Plotted By: hazelton
File: \\at06f105\Ndr\Bridges\Standards\us\br182c.dgn
Plot Date: 10-FEB-2004 08:38

3				
2				
1	11-30-99	Current Release		
NO.	DATE	REVISIONS	BY	APP'D
KANSAS DEPARTMENT OF TRANSPORTATION				
Br. No.		St. a.		
32" KANSAS CORRAL RAIL (Without Curb)				
Proj. No.		Co.		
SHEET NO.	OF	SCALE	APP'D	
DESIGNED	DATE	DETAILED	QUANTITIES	CADD
DESIGN CK.	DETAIL CK.	QUAN. CK.	CADD	CK.