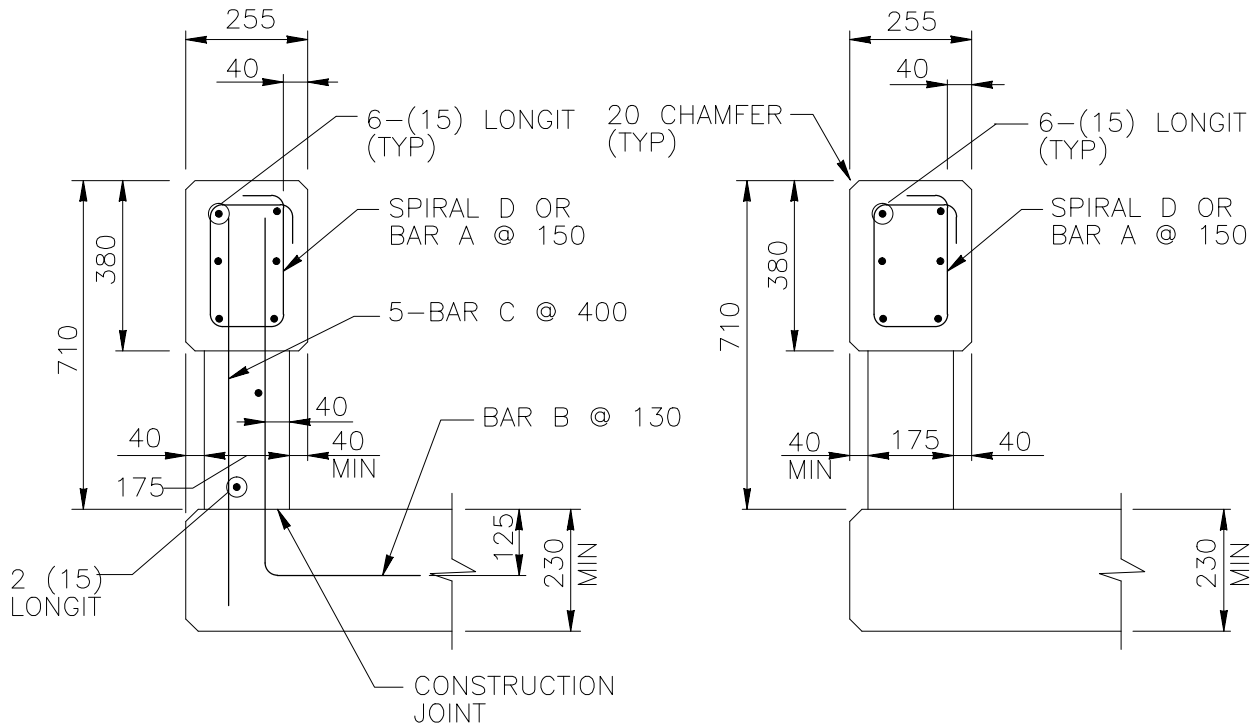


ELEVATION



SECTION THRU POST

SECTION THRU RAIL

1994

OPEN-PROFILE CONCRETE BRIDGE RAILING

SBC02a

SHEET NO.

REF. NO.

1 of 4