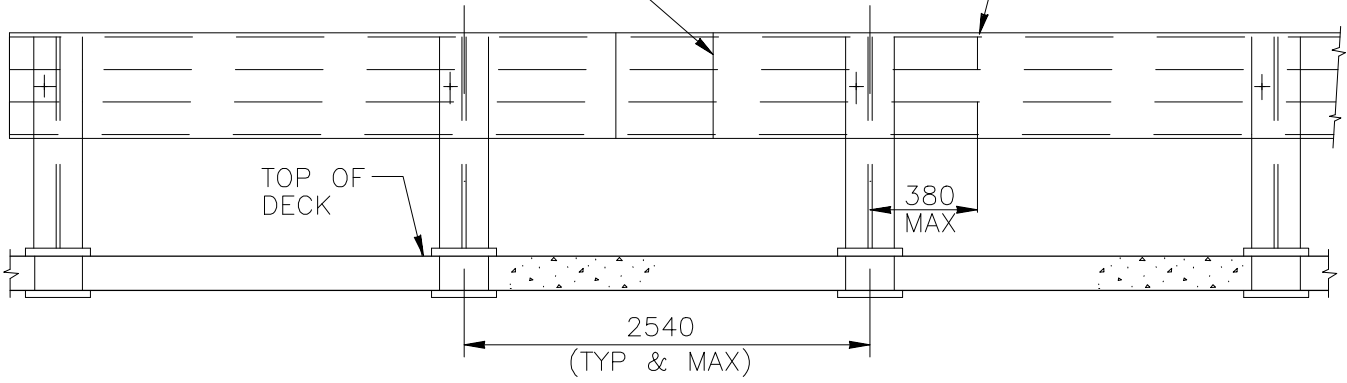
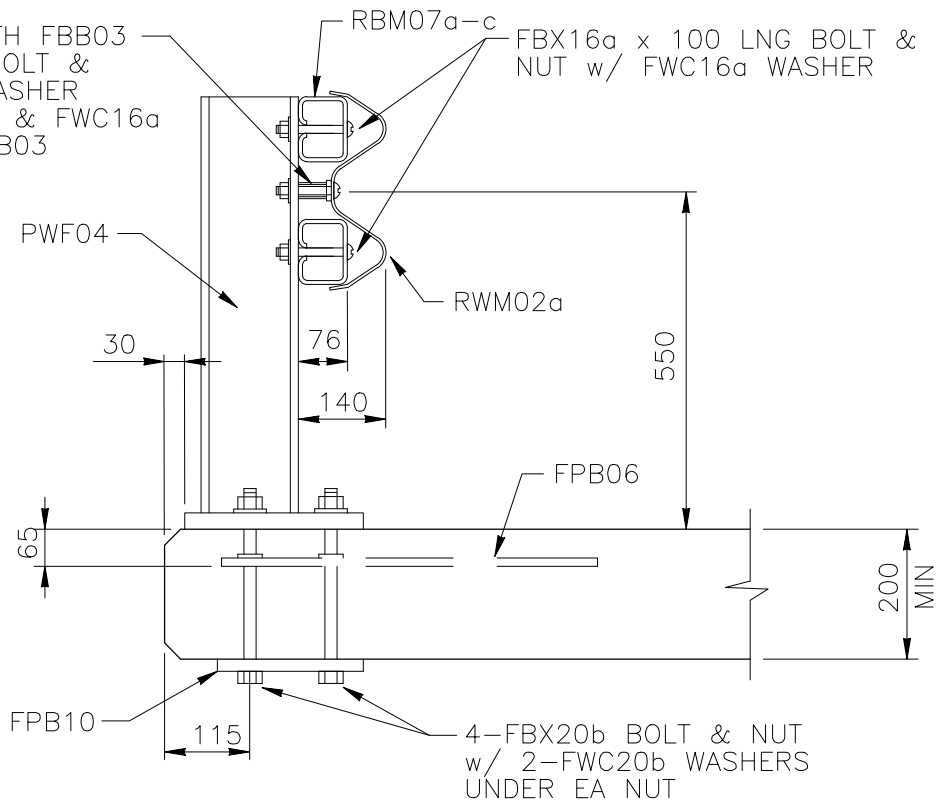


REGULAR SPLICE w/8-FBB01 BOLT & NUT FOR 3810 LNG RWM02a ONLY

TUBE JOINT



FMM03 SPACER WITH FBB03 TRIMMED TO 120 BOLT & NUT. 2-FWC24a WASHER EA END OF FMM03 & FWC16a UNDER NUT OF FBB03



1994

W AND TUBE BEAM BRIDGE RAILING

SBB02a

SHEET NO.

REF. NO.

1 of 2