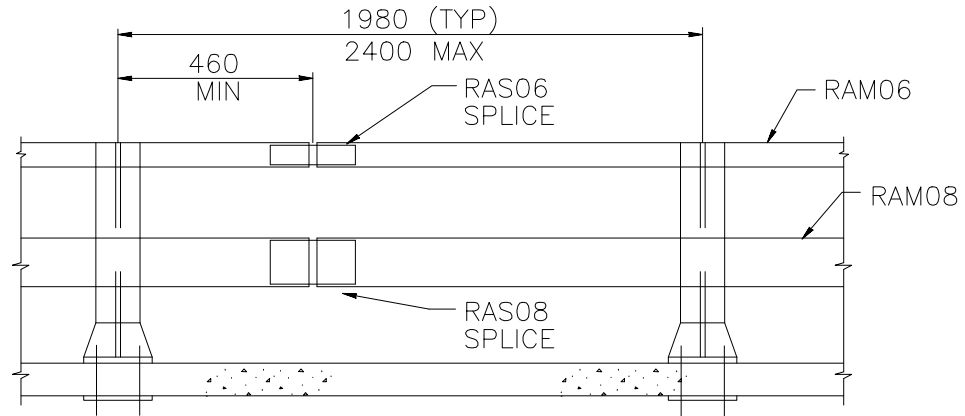
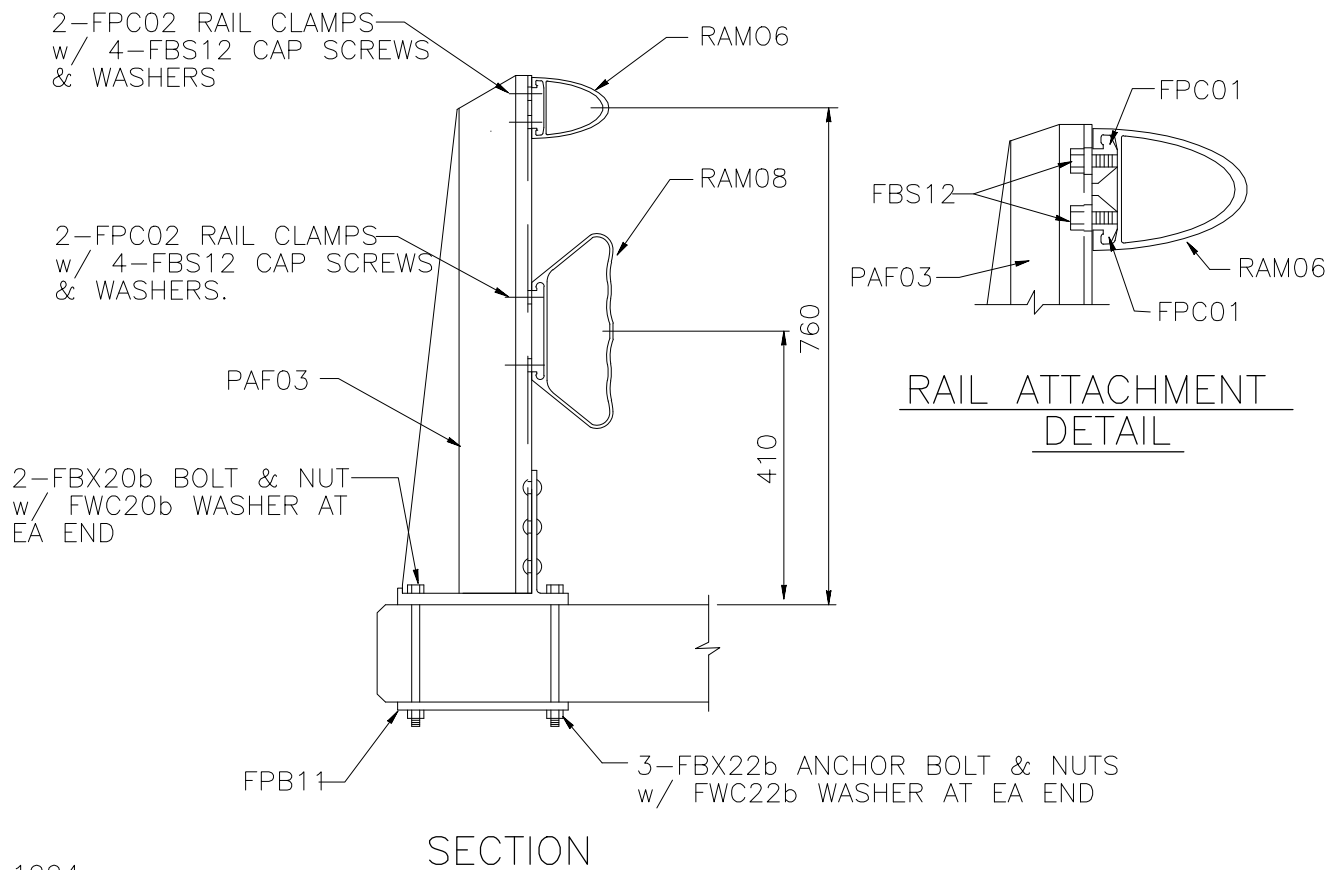


PLAN



ELEVATION



1994

TRU-BEAM BRIDGE RAILING

SBA04d

SHEET NO.

REF. NO.

1 of 2