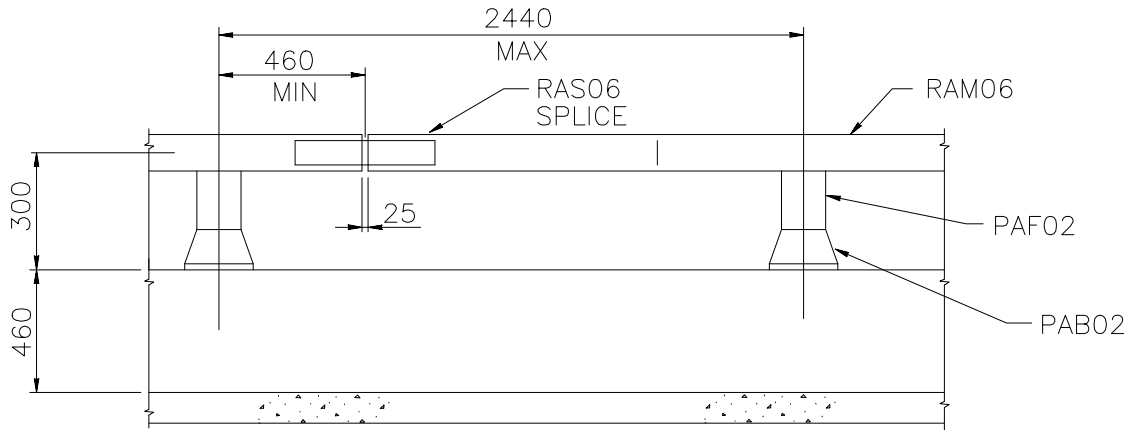
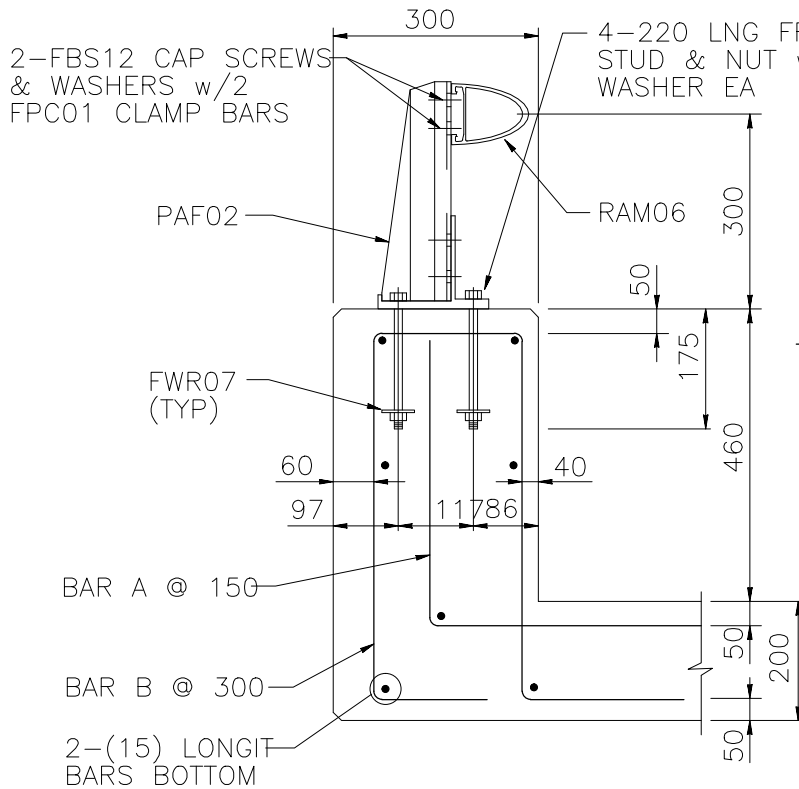


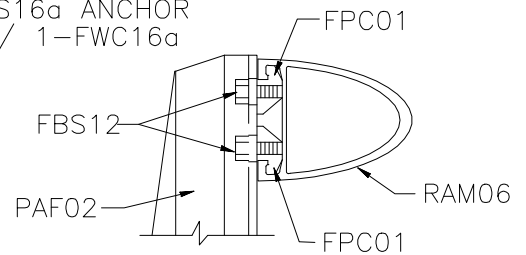
PLAN



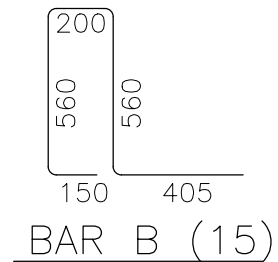
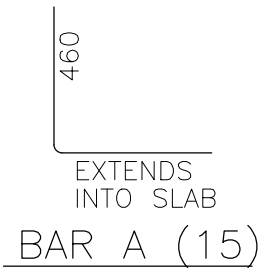
ELEVATION



SECTION



RAIL ATTACHMENT DETAIL



BR1 TYPE C ALUMINUM BRIDGE RAILING

SBA03a

SHEET NO.

REF. NO.

1 of 2