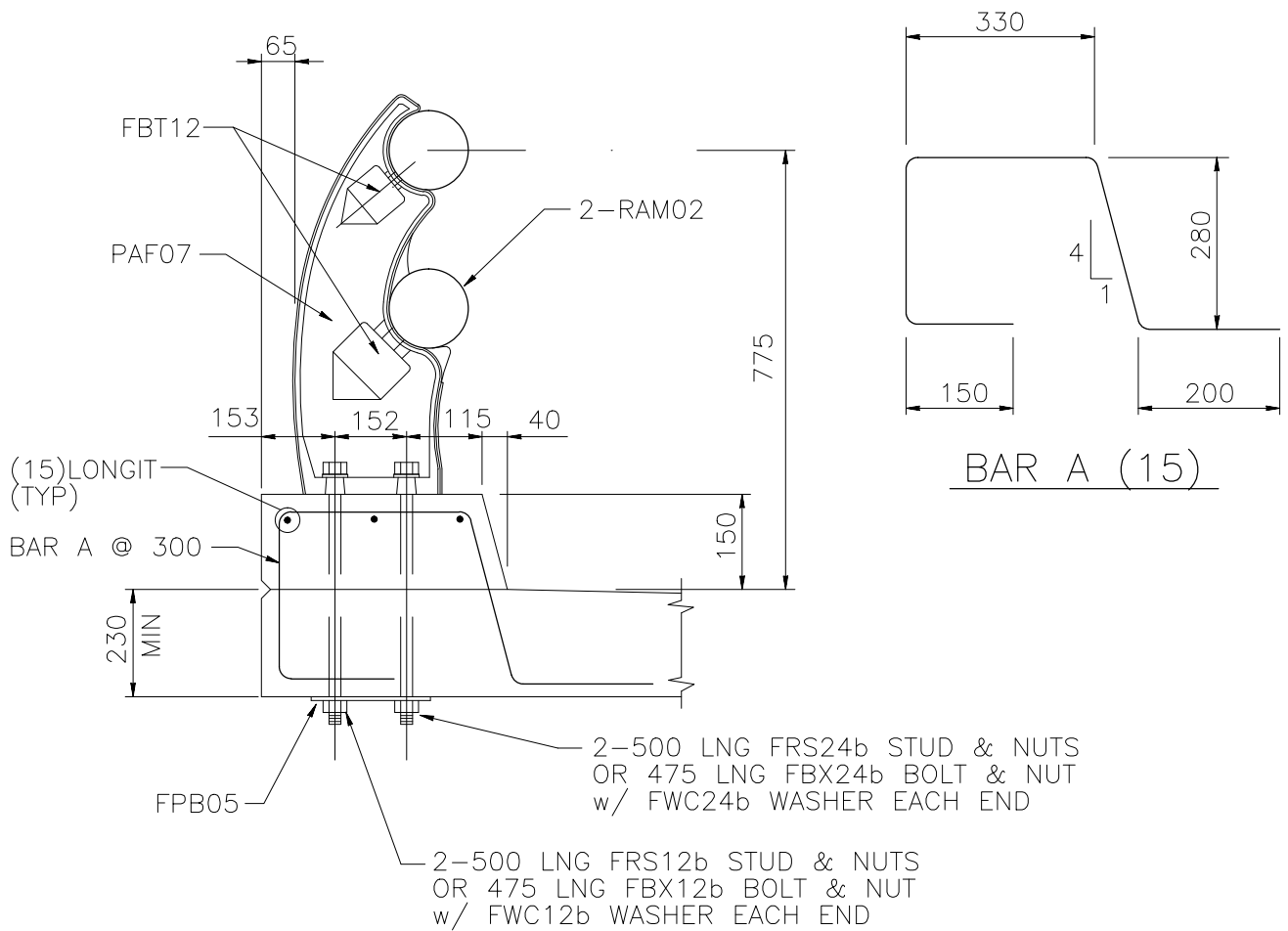


ELEVATION



SECTION THRU POST

1994

BR2 TYPE A ALUMINUM BRIDGE RAILING

SBA02a

SHEET NO.

REF. NO.

1 of 2