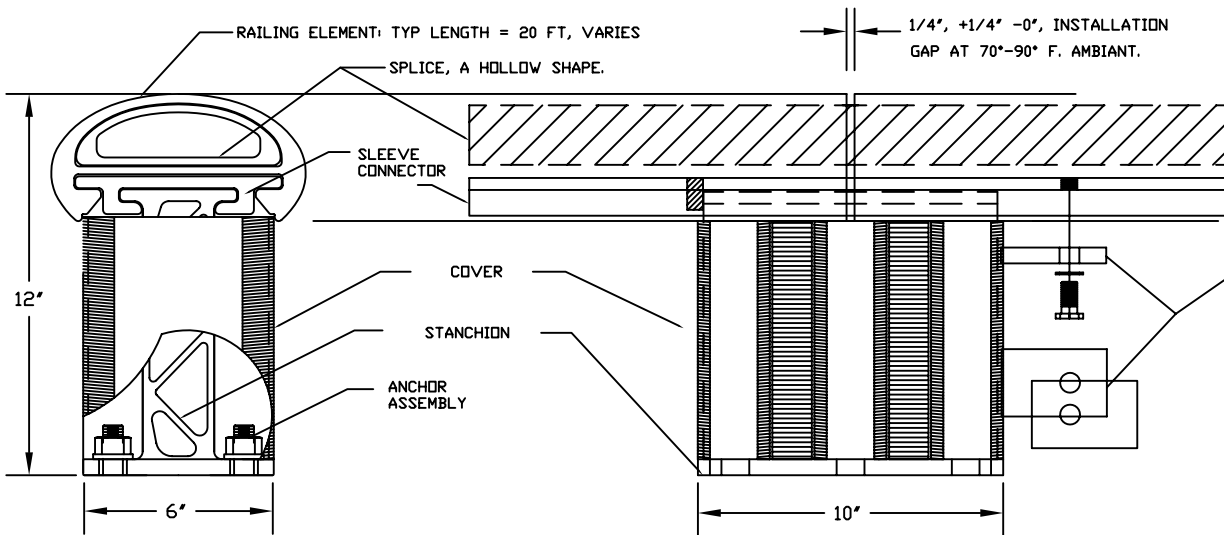
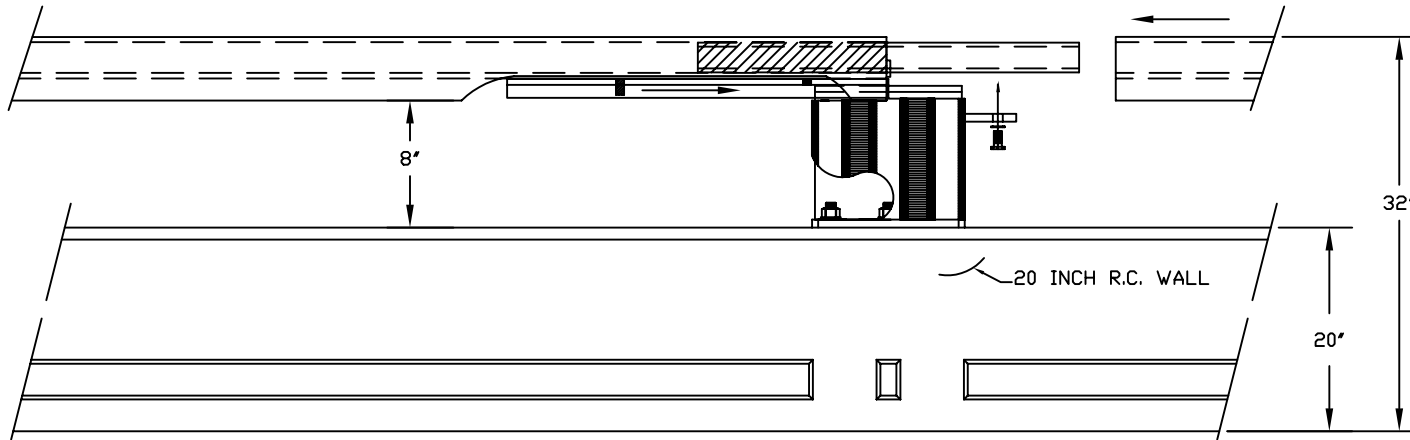


South
 Lake Shore Drive
 ANTI-THEFT RAIL



SLEEVE CONNECTOR IS SUPPLIED IN TWO LENGTHS. USE THE 18" LENGTH AT INTERMEDIATE STANCHIONS. USE THE 36" LENGTH AT STANCHIONS WHERE RAILING JOINTS OCCUR.

STOP PLATE MAY BE ROTATED 180° IF PIN AT LEFT CAN NOT BE POSITIONED ON THE EDGE OF STANCHION.

CONTRACT NO.		VALENTINE & COMPANY 3925 Roosevelt Boulevard Middletown, Ohio 45044			
APPROVALS	DATE	TITLE GENERAL ASSEMBLY DETAIL CHICAGO WALL & COVER			
DRAWN		SIZE B	CODE DK828	DWG. NO.	REV.
CHECKED					
ISSUED		SCALE VARIES		SHEET	