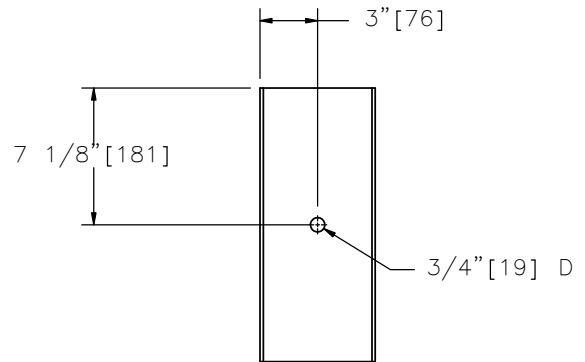
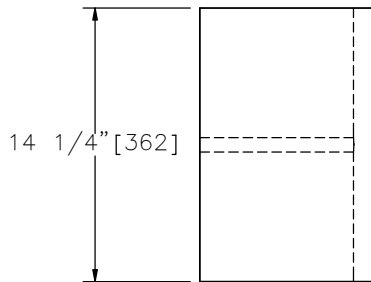
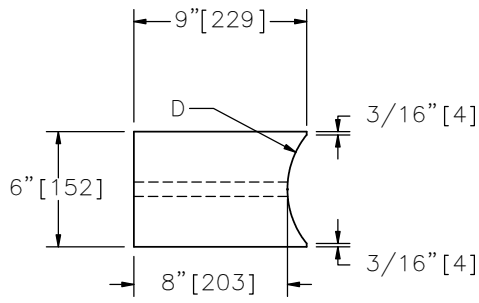


Designator	System	Route Diameter, D	Wood Blockout Type
PDB23	SGR04e	9" [229]	Ponderosa Pine
PDB24	SGR04d	9 1/8" [232]	Ponderosa Pine



BLOCKOUTS FOR G4(2W) ROUND POST APPLICATIONS



PDB23-24


SHEET NO.

DATE:

1 of 2

12/23/2014

## SPECIFICATIONS

Blockouts shall be made of timber with a stress grade of at least 1,160 psi [8  A]. Grading shall be in accordance with the rules of the West Coast Lumber Inspection Bureau, Southern Pine Inspection Bureau, or other timber association. Timber for blockouts shall be either rough sawn (un-planed) or S4S (surface 4 sides) with nominal dimensions as indicated. The variation in size of the blockout in the direction parallel with the axis of the bolt shall not be more than 1/4" [6]. Only one type of surface finish shall be used for posts and blockouts in any one continuous length of guardrail.

All timber shall receive a preservation treatment in accordance with AASHTO M-133 after all end cuts are made and holes are drilled.

Dimensional tolerances not shown or implied are intended to be those consistent with the proper functioning of the part, including its appearance and accepted manufacturing practices.

The blockouts shall conform to the following regulations:

Component	Wood Type	Height	Depth	Width	Route Diameter, D
PDB23	Ponderosa Pine	14 1/4" [362]	9" [229]	6" [152]	9" [229]
PDB24	Ponderosa Pine	14 1/4" [362]	9" [229]	6" [152]	9 1/8" [232]

## INTENDED USE

This blockout is used with round wood post (PDE21 and PDE22) in G4(2W) guardrail systems along with Round Post variations (SGR04e and SGR04d), respectively.

## CONTACT INFORMATION

Midwest Roadside Safety Facility  
University of Nebraska-Lincoln  
130 Whittier Research Center  
2200 Vine Street  
Lincoln, NE 68583-0853  
(402) 472-0965  
Email: [mwrfsf@unl.edu](mailto:mwrfsf@unl.edu)  
Website: <http://mwrfsf.unl.edu/>

## BLOCKOUTS FOR G4(2W) ROUND POST APPLICATIONS



PDB23-24

SHEET NO.

DATE:

2 of 2

12/23/2014