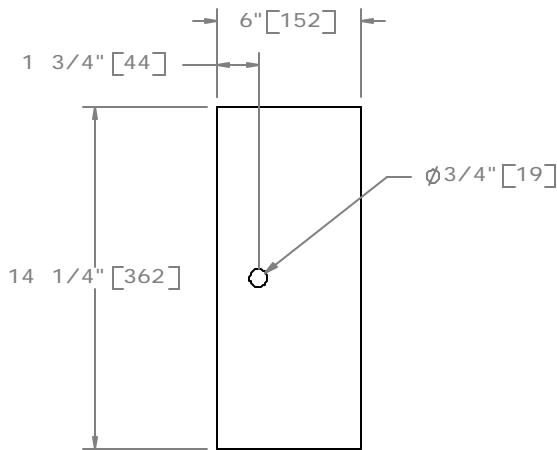
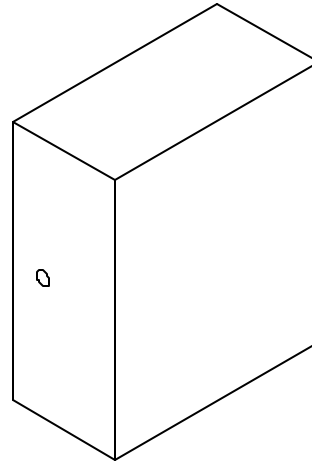
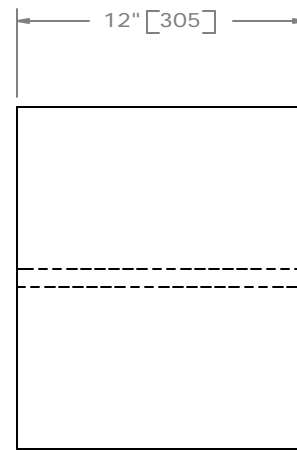


PLAN

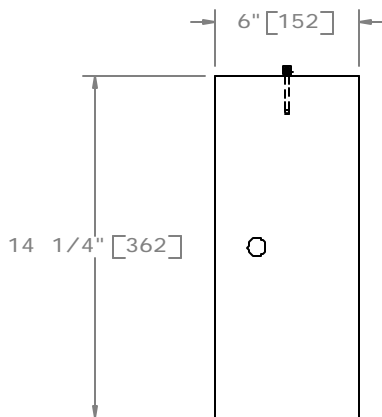


ELEVATION

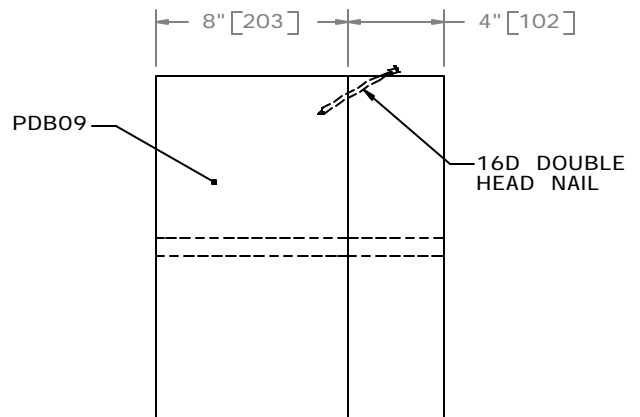


SIDE

PDB10a



ELEVATION



SIDE

PDB10b- OPTIONAL BUILT- UP BLOCKOUT

MGS TIMBER BLOCKOUT FOR STEEL GUARDRAIL POST



PDB10a-b

SHEET NO.

DATE:

1 of 2

04/12/2006

SPECIFICATIONS

Blockouts shall be made of timber with stress grade of at least 1200 psi [8 MPa]. Grading shall be in accordance with the rules of the West Coast Lumber Inspection Bureau, Southern Pine Inspection Bureau or other appropriate timber association. Minimum of SYP Grade No. 1 or better. Timber for blockouts shall be either rough sawn (un-planed) or S4S (surfaced four sides) with nominal dimensions indicated. The variation in size of blockouts in the direction parallel to the axis of the bolt holes shall not be more than $\pm 1/4$ " [6mm]. Only one type of surface finish shall be used for posts and blockouts in any one continuous length of guardrail.

All timber shall receive a preservation treatment in accordance with AASHTO M- 133 after all end cuts are made and holes are drilled.

Dimensions tolerances not shown or implied are intended to be those consistent with the proper functioning of the part, including its appearance and accepted manufacturing practices.

INTENDED USE

This blockout is used with a steel, wide-flange guardrail post (PWE06) in any Midwest Guardrail System (MGS) variations (SGR20- 23).

CONTACT INFORMATION

Midwest Roadside Safety Facility
E527 Nebraska Hall
Lincoln, NE 68588-0529
(402) 472- 0965
Email: mwrsf@unl.edu
Website: <http://mwrsf.unl.edu/>



MGS TIMBER BLOCKOUT FOR STEEL GUARDRAIL POST

PDB10a-b

SHEET NO.

DATE:

2 of 2

04/12/2006

