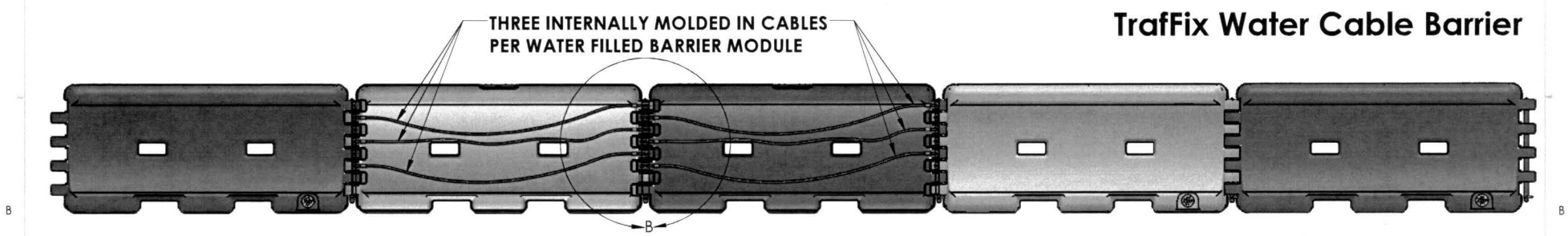


WATER FILLED MODULE WITH INTERNAL CABLES

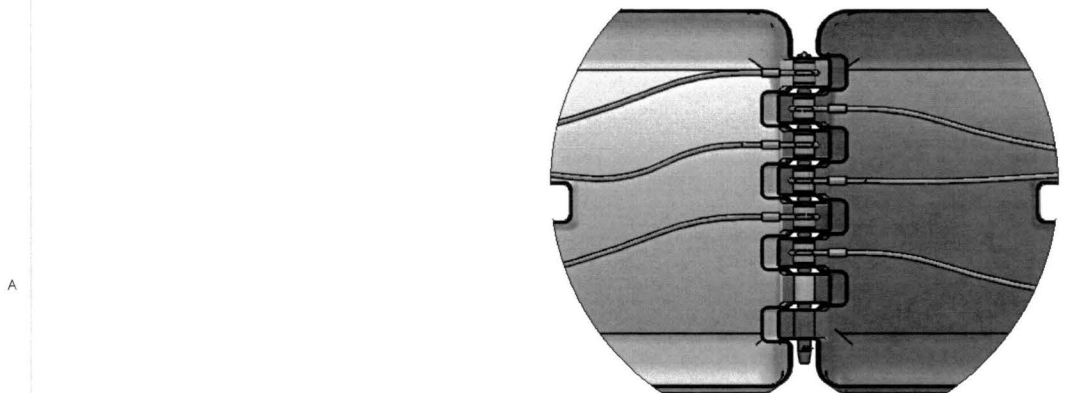
SECTION A-A

THREE INTERNALLY MOLDED IN CABLES



Traffix Water Cable Barrier

THREE INTERNALLY MOLDED IN CABLES PER WATER FILLED BARRIER MODULE



DETAIL B

UNLESS OTHERWISE SPECIFIED:
 ALL DIMENSIONS ARE IN INCHES(mm).
 TOLERANCES:
 FRACTIONAL: X/16 ± 1/16 (1.6mm)
 DECIMAL: X.X ± .0625"
 X.XX ± .032"
 X.XXX ± .015"
 DEGREES: ± 0.5°

Traffix Devices Inc.  160 Avenida La Pata
 San Clemente, CA 92673
 (949) 361-5663
 FAX (949) 361-9205
 www.traffixdevices.com

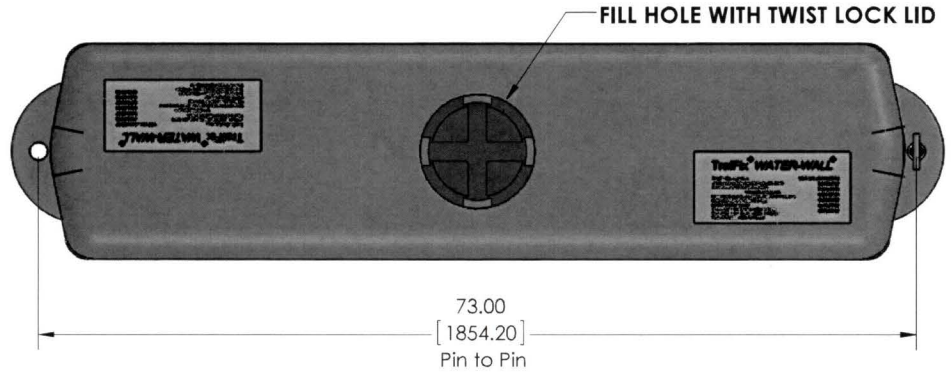
TITLE:
 Traffix Water Cable Barrier
 Array With Internal
 Molded in Cables

DRAWN BY: Ben Langdon
 CHECKED BY: FA
 APPROVED BY: FA

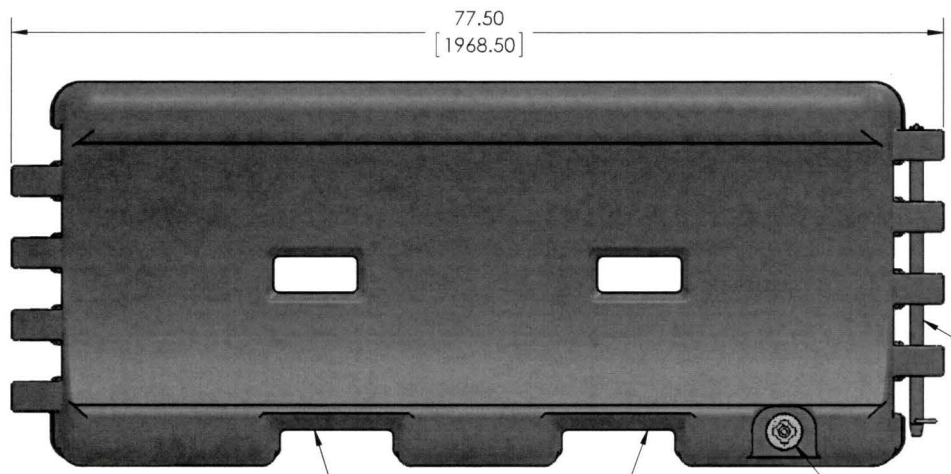
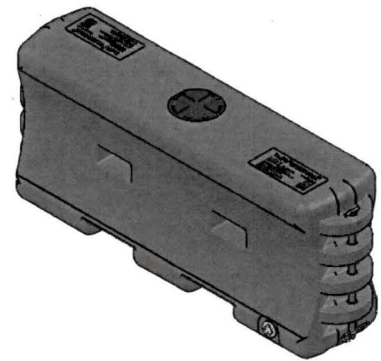
DATE: 3/7/16
 DATE: 3/7/16
 DATE: 3/7/16

SIZE **B** DWG. NO. 300-235 REV **B**

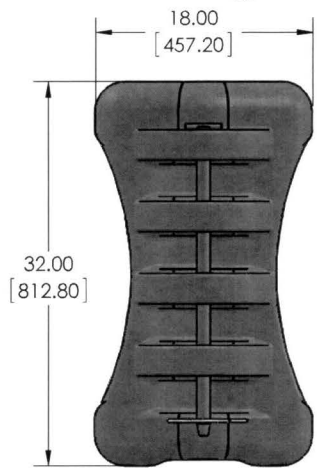
Traffix Water Cable Barrier



73.00
[1854.20]
Pin to Pin



77.50
[1968.50]



UNLESS OTHERWISE SPECIFIED:
ALL DIMENSIONS ARE IN INCHES(mm).
TOLERANCES:
FRACTIONAL: X/8 ± 1/16" (1.6mm)
DECIMAL: X.X ± .0625"
X.XX ± .03"
X.XXX ± .015"
DEGREES: ± 0.5°



160 Avenida La Pata
San Clemente, CA 92673
(949) 361-5663
FAX (949) 361-9205
www.traffixdevices.com

TITLE:
**Traffix Water Cable Barrier
With Internal
Molded in Cables**

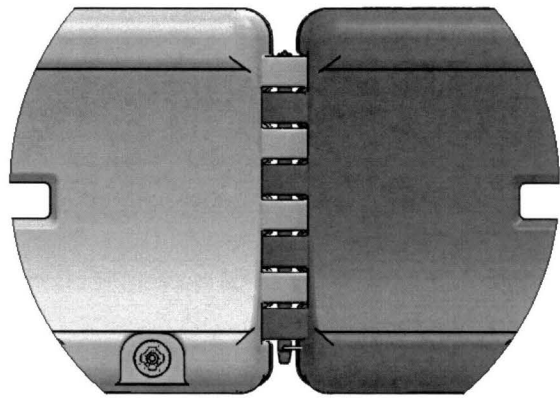
DRAWN BY:
Ben Langdon
CHECKED BY:
FA
APPROVED BY:
FA

DATE:
3/7/16
DATE:
3/7/16
DATE:
3/7/16

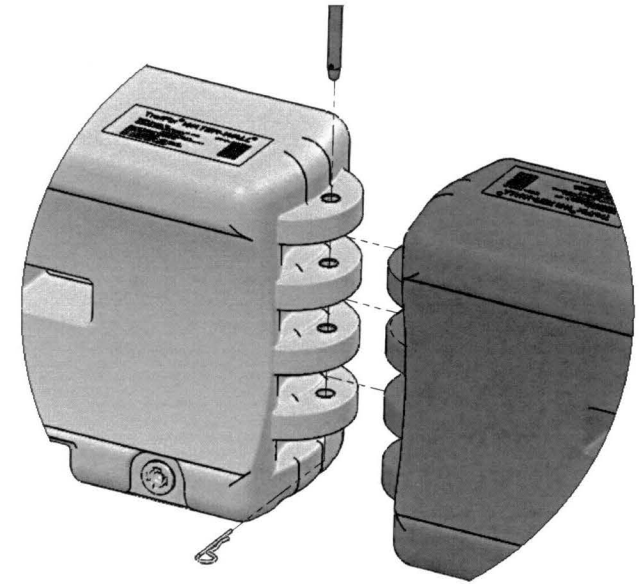
SIZE B	DWG. NO. 300-236	REV B
------------------	---------------------	-----------------

SHEET 1 OF 1

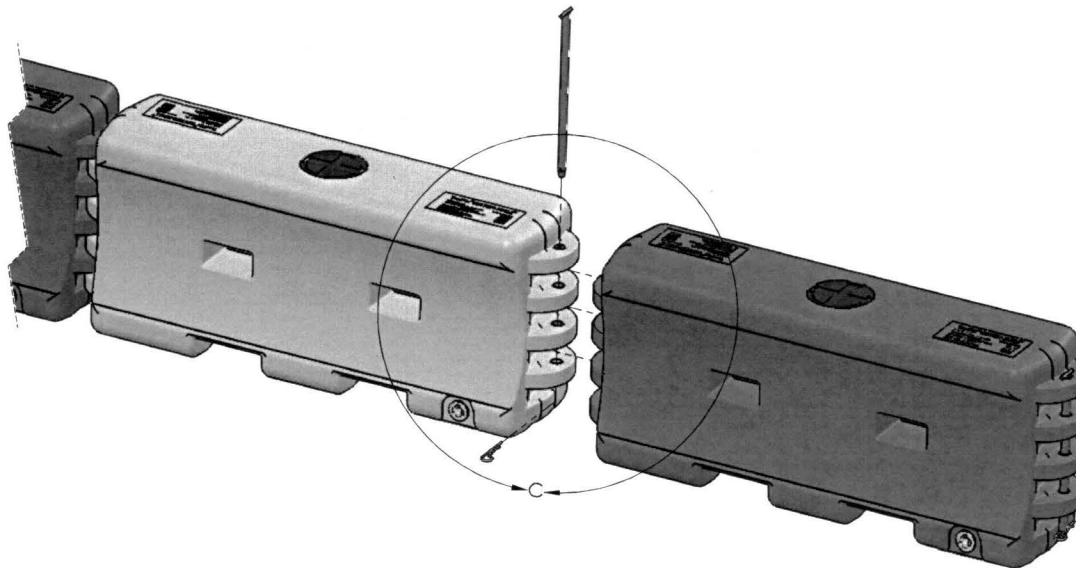
Traffix Water Cable Barrier TL-1 & TL-2
Color: Orange and White
Material: Plastic Polyethylene



**MODULES
PINNED TOGETHER**



DETAIL C



UNLESS OTHERWISE SPECIFIED:
ALL DIMENSIONS ARE IN INCHES(mm).
TOLERANCES:
FRACTIONAL: X/X ± 1/16" [1.6mm]
DECIMAL: XX ± .0625"
X.XX ± .03"
X.XXX ± .015"
DEGREES: ± 0.5°



160 Avenida La Pata
San Clemente, CA 92673
(949) 361-5663
FAX (949) 361-9205
www.traffixdevices.com

TITLE:
**TraFFix Water Cable Barrier
Array With Internal
Molded in Cables**

DRAWN BY:
Ben Longdon
CHECKED BY:
FA
APPROVED BY:
FA

DATE:
3/7/16
DATE:
3/7/16
DATE:
3/7/16

SIZE
B

DWG. NO.
300-237

REV
A

SHEET 2 OF 2