

BOLTED-DOWN, H-PILE, STEEL TEMPORARY BARRIER SYSTEM



SWM09

SHEET NO.

DATE:

1 of 4

8/23/2007

INTENDED USE

The Bolted-Down, H-Pile, Steel Temporary Barrier System was tested with an observed maximum dynamic deflection of 13 3/8" [314] and a working width of 28 1/2" [725] while using a clear gap of 13" [330] between the back side of the barrier and the edge of deck or concrete surface. However, researchers later determined that the barrier system can be installed with a minimum clear gap of 6" [150]. This system is TL-3 NCHRP 350 accepted.

COMPONENTS

Unit Length = 240" [6096]

DESIGNATOR	COMPONENT	SYSTEM	NUMBER
a	Top H-Pile section	-	1
b	Bottom H-Pile section	-	1
c	Connection plate	-	2
d	Tie-down angle	-	6
e	Connection pin	-	1
f	Plate washer	-	4
-	Red head anchors	-	4

ACCEPTANCE

FHWA Acceptance Letter [B-117](#), September 12, 2003.

REFERENCES

Polivka, K.A., Bielenberg, R.W., Faller, R.K., Sicking, D.L., Rohde, J.R., Reid, J.D., and Holloway, J.C., *Development of a Steel H-Section Temporary Barrier for Use in Limited Deflection Applications*, Final Report to the Midwest State s Regional Pooled Fund Program, Transportation Research Report No. TRP-03-120-03, Project No. SPR-3(017)-Year 11, Project Code: RFPF-01-01, Midwest Roadside Safety Facility, University of Nebraska-Lincoln, May 30, 2003.

Bielenberg, B.W., Faller, R.K., Reid, J.D., Rohde, J.R., and Sicking, D.L., Design and Testing of Tie-Down Systems for Temporary Barriers, Paper No. 03-3146, Transportation Research Record No. 1851, Transportation Research Board, Washington, D.C., January 2003.

CONTACT INFORMATION

Midwest Roadside Safety Facility
 E527 Nebraska Hall
 Lincoln, NE 68588-0529
 (402) 472-0965
 Email: mwrfsf@unl.edu
 Website: <http://mwrfsf.unl.edu/>



BOLTED-DOWN, H-PILE, STEEL TEMPORARY BARRIER SYSTEM

SWM09

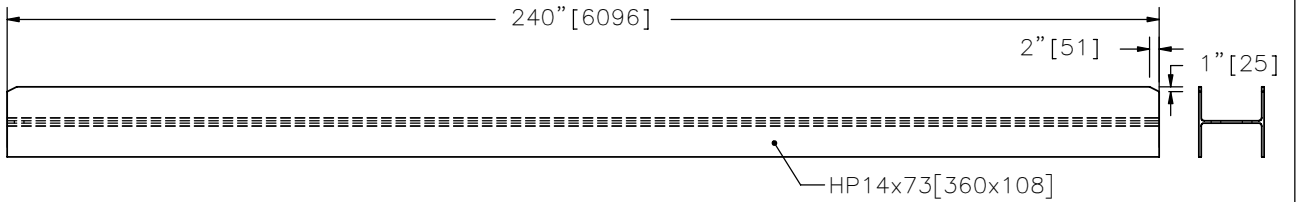


SHEET NO.

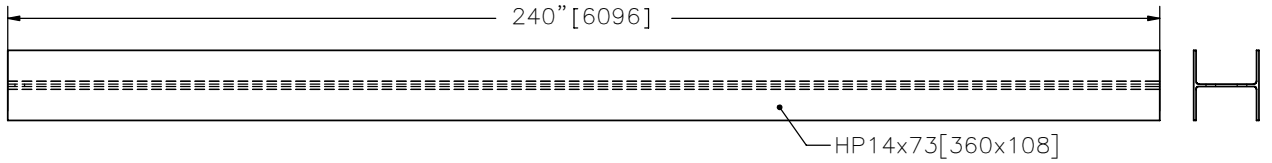
DATE:

2 of 4

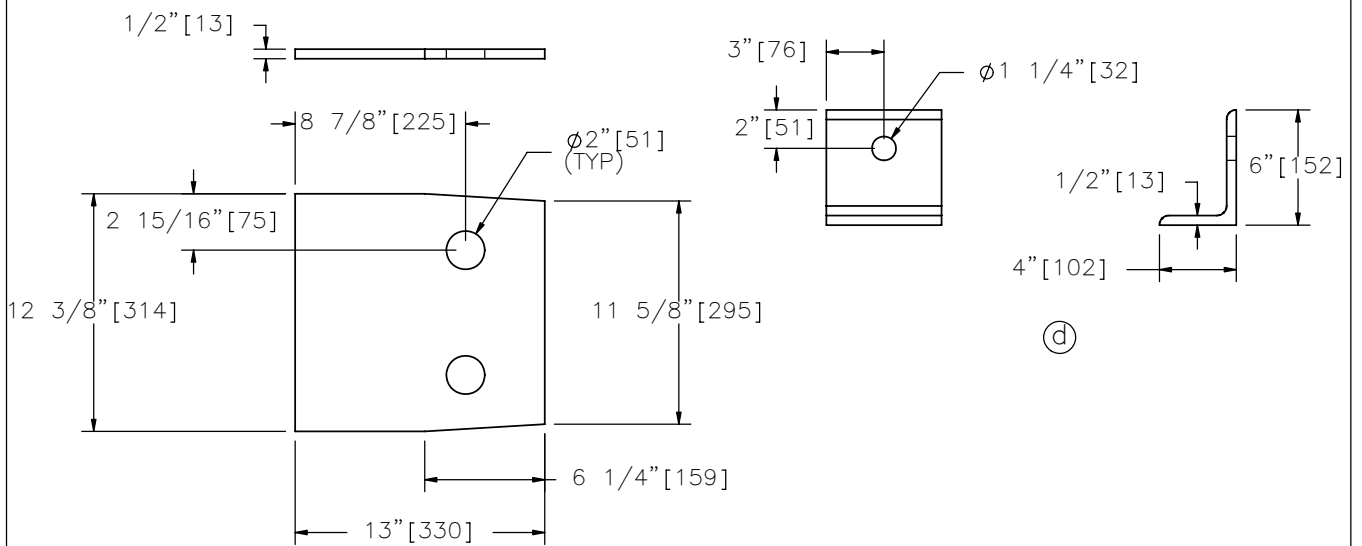
8/23/2007



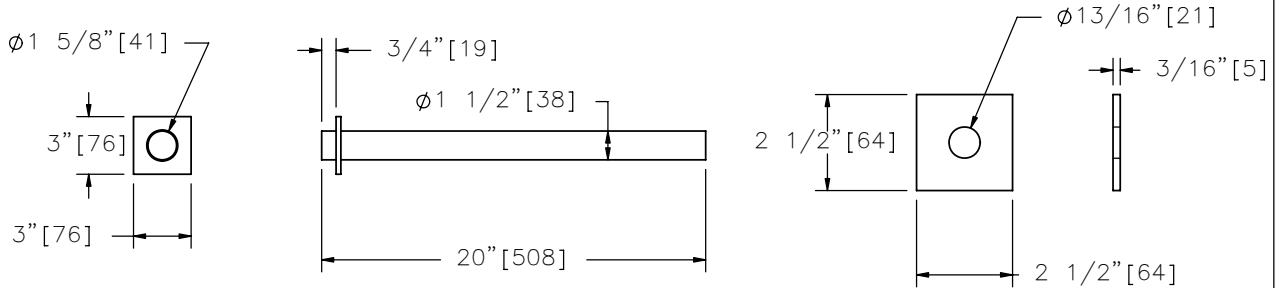
(a)



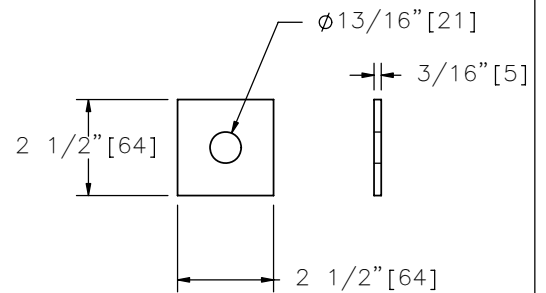
(b)



(c)



(e)



(f)

BOLTED-DOWN, H-PILE, STEEL TEMPORARY BARRIER SYSTEM



SWM09

SHEET NO.

DATE:

3 of 4

8/23/2007

PAGE INTENTIONALLY LEFT BLANK

BOLTED-DOWN, H-PILE, STEEL TEMPORARY BARRIER SYSTEM

SWM09



SHEET NO.

DATE:

4 of 4

8/23/2007