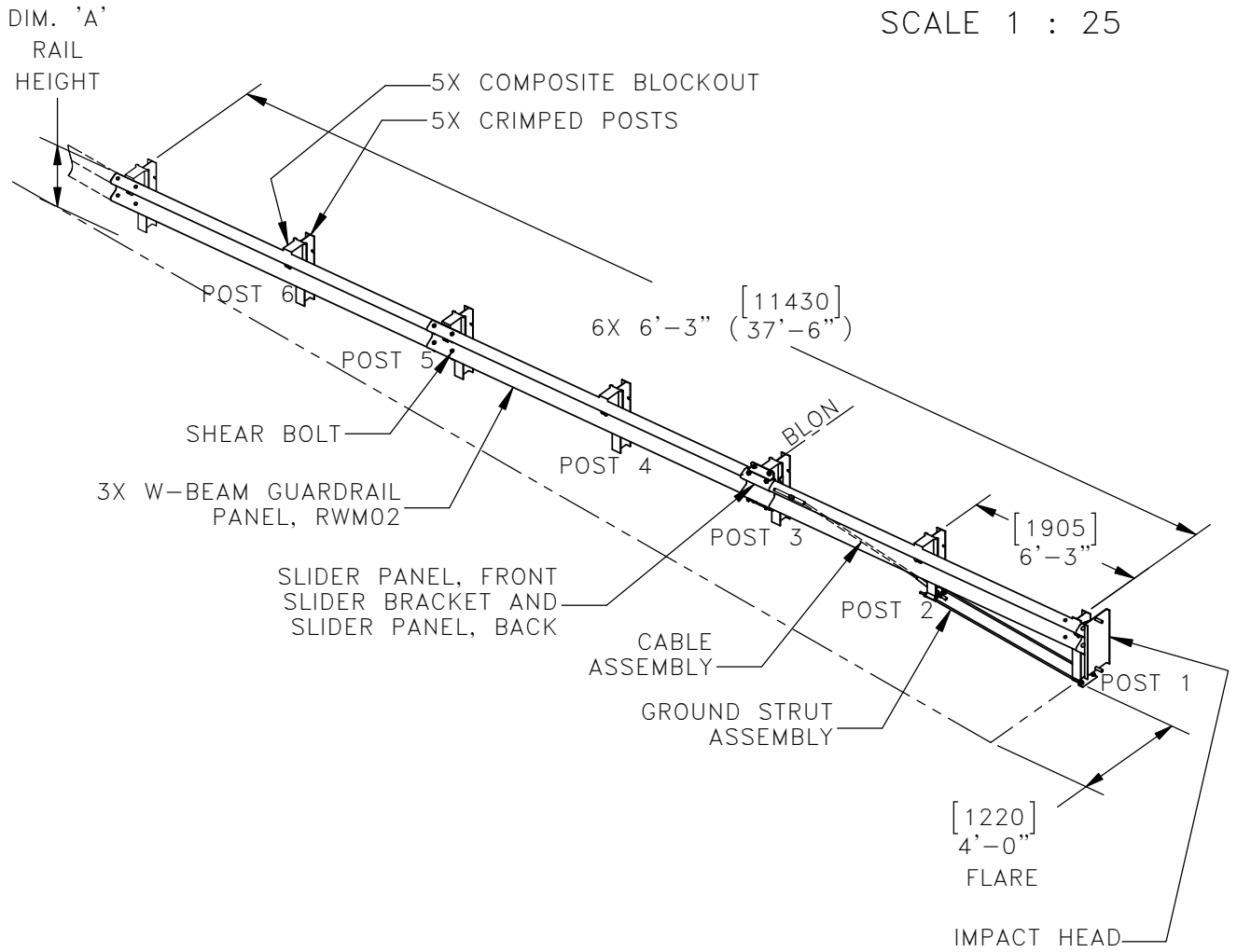


SCALE 1 : 25



SYSTEM HEIGHT DIMENSIONS						
REFERENCE DIMENSIONS		INCHES	MM	OR	INCHES	MM
A	RAIL HEIGHT	27 5/8	700		31	790
B	HEAD HEIGHT	33 3/8	850		36 7/8	935
C	POST HEIGHT	28 1/4	720		31 3/4	805

X-LITE™ SYSTEM, FLARED



LINDSAY TRANSPORTATION SOLUTIONS
 180 River Road
 Rio Vista, CA 94571
 Tel: 888-800-3691
 www.barriersystemsinc.com

SEW24B

SHEET NO.

DATE:

1 OF 2

06/13/13

INTENDED USE

The X-Lite™ Flared system is a re-directive, gating end terminal that can be used in a flared configuration with a 4' [1220] offset. It can be used to protect motorists from unforgiving terminations of longitudinal barriers. The X-Lite™ Flared system absorbs the energy and gradually decelerates an impacting vehicle when impacted head-on and can redirect a vehicle starting at post 3. The X-Lite™ Flared system integrates directly into a flexible corrugated guardrail system.

The system consists of an impact head, slider panels and slider bracket, shear bolts, cable bracket, soil anchor, ground strut, specially crimped posts and a cable in addition to standard guardrail components such as blockouts, and rails. It can be used at rail height of 27-5/8" [702] and 31" [787]. Contact the manufacturer for further information and installation instructions.

APPROVALS

The X-Lite™ Flared system has been fully tested in conformance with NCHRP Report 350 Test Level 3 and is accepted by FHWA.

FHWA Acceptance Letters: CC-120, September 9, 2011
CC-120A, March 29, 2013

CONTACT INFORMATION

Lindsay Transportation Solutions
180 River Rd.
Rio Vista, CA 94571
www.barriersystemsinc.com
Phone: 888-800-3691 or 707-374-6800
Fax: 707-374-6801
Email: info@barriersystemsinc.com

X-LITE™ SYSTEM, FLARED

SEW24B



LINDSAY TRANSPORTATION SOLUTIONS
180 River Road
Rio Vista, CA 94571
Tel: 888-800-3691
www.barriersystemsinc.com

SHEET NO.

DATE:

2 OF 2

06/13/13