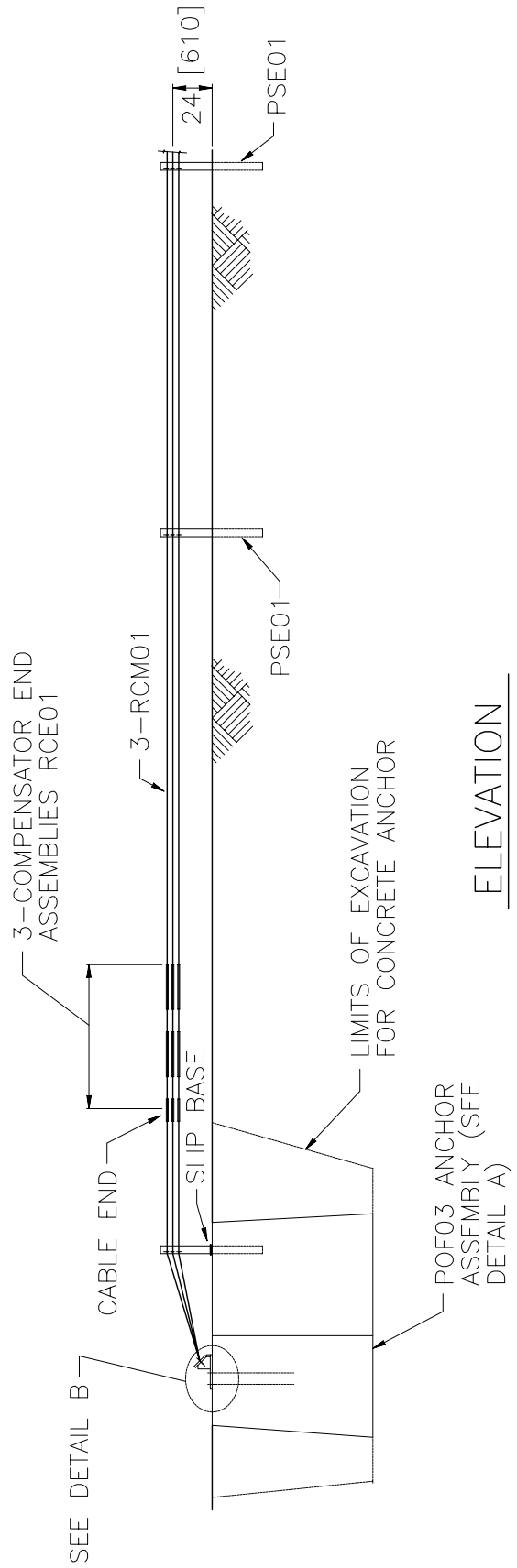


PLAN



ELEVATION

CABLE GUARDRAIL ANCHOR

SEC01

SHEET NO.  
1 of 4

DATE:  
8/11/2005

### INTENDED USE

This cable guardrail anchor is for use with the SGR01 cable guardrail. The slip-base post is designed to release at the base in an end-on impact. The notches in the [FPA02](#) bracket allow the cables to disengage in a frontal impact while providing adequate anchoring capability in downstream impacts. SEC01 is a Test Level 3 system.

### COMPONENTS

The concrete anchor block may be cast-in-place as one piece or precast in two pieces, one to support the breakaway post and the other for the cable anchor. Concrete shall develop a 28-day strength of not less than 4000 psi [28 MPa]. The concrete shall use a cement conforming to AASHTO M85 Type I or II.

Unit length = 288 inches [7500 mm]

Designator	Component	Number
<a href="#">POF03</a>	Anchor foundation assembly (includes 1 <a href="#">PSE06</a> )	1
<a href="#">PSE01</a>	Line posts	2
<a href="#">RCE01</a>	Turnbuckle and spring compensator	3
<a href="#">RCE03</a>	Cable end fitting, nut washers and cable	3
<a href="#">RCM01</a>	Cable (end of main guardrail run)	3

### APPROVALS

FHWA Acceptance Letter [CC-63](#), 2/14/00.

### REFERENCES

R.G. Phillips, A.B. Tyrell, J.E. Bryden and J.S. Fortuniewicz, *Cable Guiderail Breakaway Terminal Ends*, Engineering Research and Development Bureau, New York Department of Transportation, FHWA Report FHWA/NY/RR-90/148, Albany, NY, March 1990.

### CONTACT INFORMATION

Federal Highway Administration  
Office of Safety  
400 Seventh Street, SW  
Washington, DC 20590  
202-366-2288



## CABLE GUARDRAIL ANCHOR

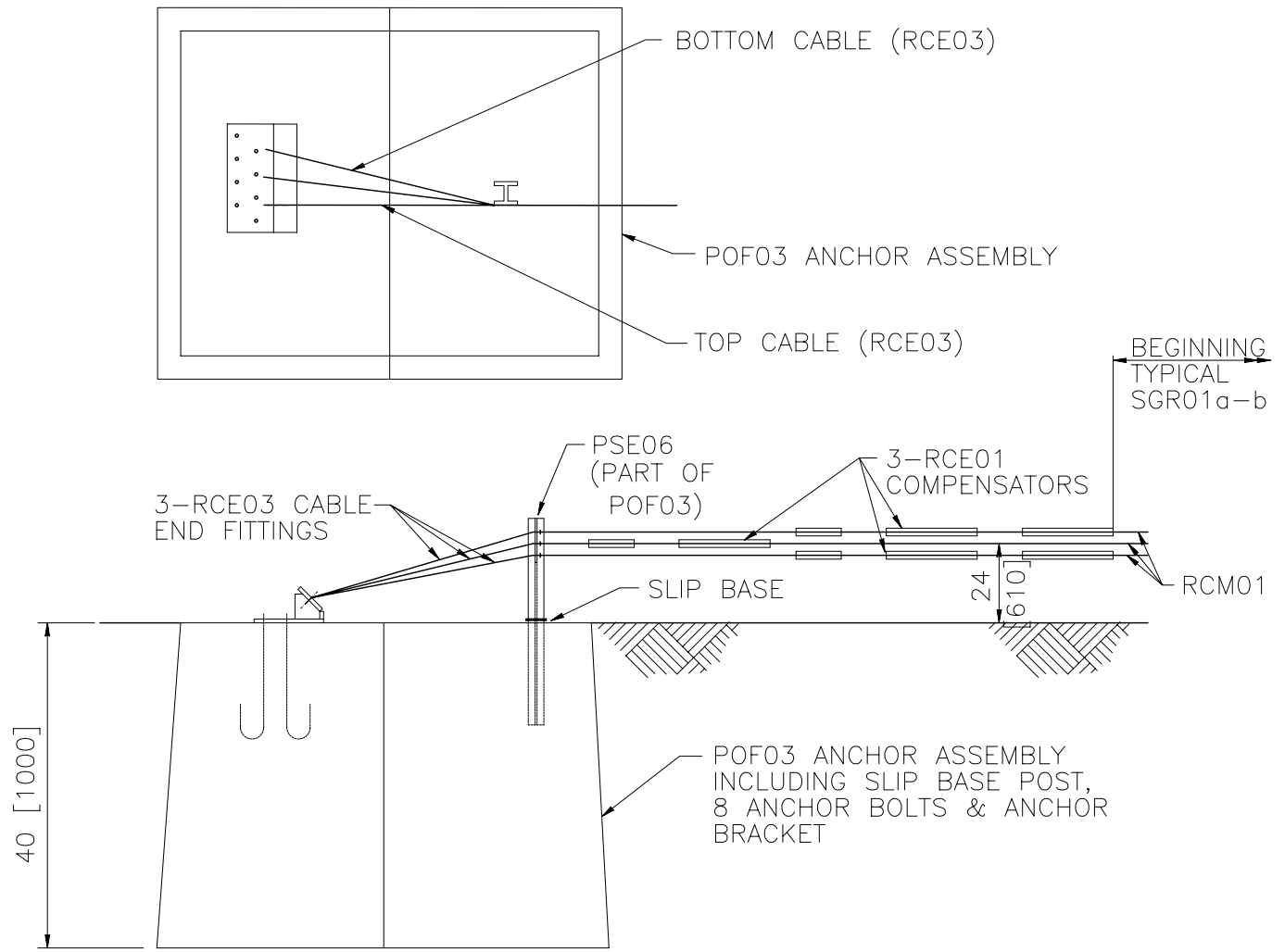
**SEC01**

SHEET NO.

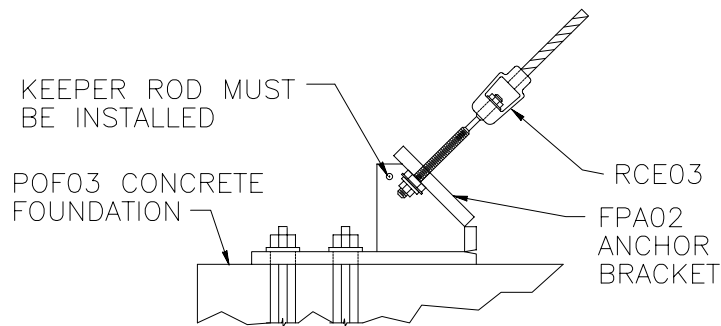
DATE

2 of 4

8/11/05



DETAIL A: FOUNDATION ASSEMBLY



DETAIL B: ANCHOR BRACKET

CABLE GUARDRAIL ANCHOR

SEC01

SHEET NO.	DATE:
3 of 4	8/11/2005

**This sheet intentionally left blank.**

**CABLE GUARDRAIL ANCHOR**

**SEC01**

<b>SEC01</b>		
SHEET NO.	DATE	
4 of 4	8/11/05	