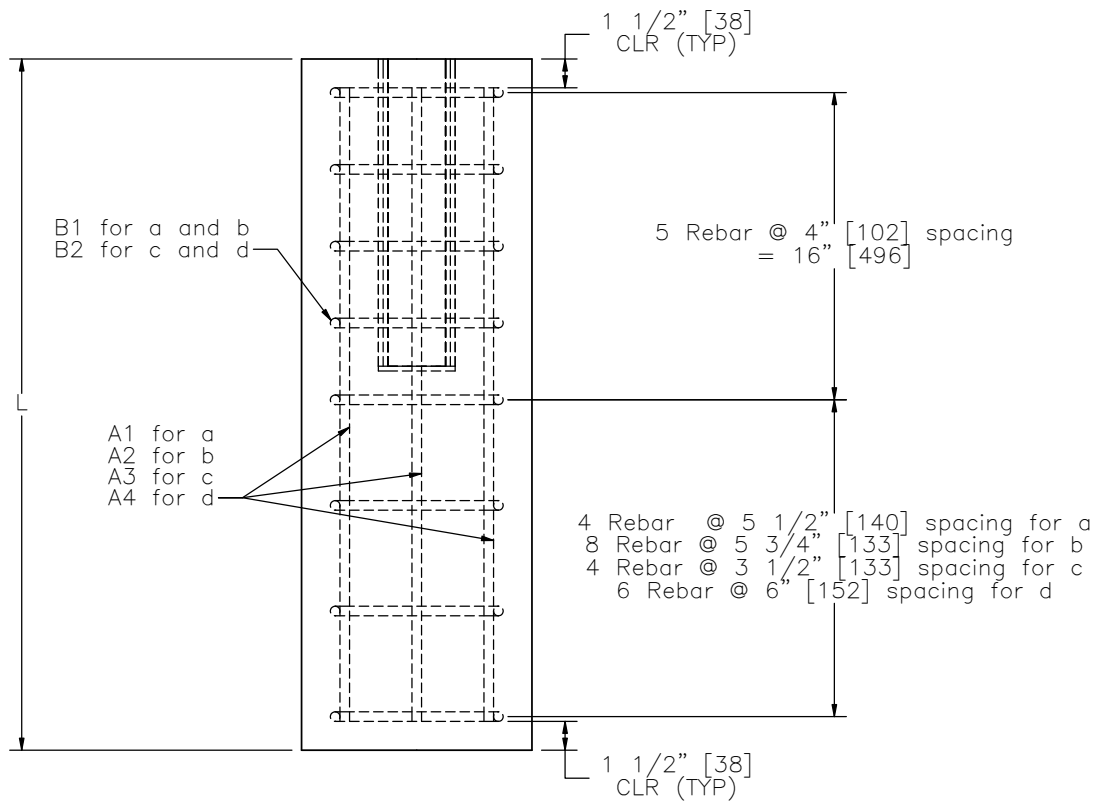


PLAN VIEW



ELEVATION VIEW

Designator	Length (L)	Diameter (D)	Soil Type
PTF02a	36" [914]	12" [305]	AASHTO Grade B or equivalent
PTF02b	60" [1524]	12" [305]	AASHTO Grade A-3 Sand or equivalent
PTF02c	30" [762]	15" [381]	AASHTO Grade B or equivalent
PTF02d	50" [1270]	15" [381]	AASHTO Grade A-3 Sand or equivalent

SOCKETED FOUNDATIONS FOR S3X5.7 POSTS IN SOIL



PTF02a-d

SHEET NO.

DATE:

1 of 3

12/6/2016

SPECIFICATIONS

The concrete used for the Socked Foundations for S3x5.7 Posts Placed in Soil should have a minimum compressive strength of 3500 psi [24MPa]. For a 12” [305] diameter foundation a minimum depth of 36” [914] is required for AASHTO Grade B or equivalent soil, and a minimum depth of 60” [1524] is required for AASHTO Grade A-3 sand or equivalent soil. For a 15” [381] diameter foundation a minimum depth of 30” [762] is required for AASHTO Grade B or equivalent soil, and a minimum depth of 50” [1270] is required for AASHTO Grade A-3 sand or equivalent soil.

The HSS 4x4x1/4” [HSS 102x102x6] steel socket shall be made of ASTM A500 Grade B steel, minimum. The 4x4x1/4” [102x102x6] steel plate shall be made of ASTM A36 steel. The socket and the steel plate shall be stitch or tack-welded all around the socket, or as is deemed appropriate by manufacturer. All rebar reinforcement shall be ASTM A615, A706, or A420 Grade 60 steel.

Dimensional tolerances not shown or implied are intended to be those consistent with the proper functioning of the part, including its appearance and accepted manufacturing practices.

INTENDED USE

Socketed Foundations for S3x5.7 Posts were developed for use with systems utilizing S3x5.7 (S76x8.5) posts (PSF01) placed in soil with various strength.

CONTACT INFORMATION

Midwest Roadside Safety Facility
Nebraska Transportation Center
University of Nebraska-Lincoln
130 Whittier Building
2200 Vine Street
Lincoln, NE 68583-0853
(402) 472-0965
Email: mwrfsf@unl.edu
Website: <http://mwrfsf.unl.edu/>

SOCKETED FOUNDATIONS FOR S3X5.7 POSTS IN SOIL



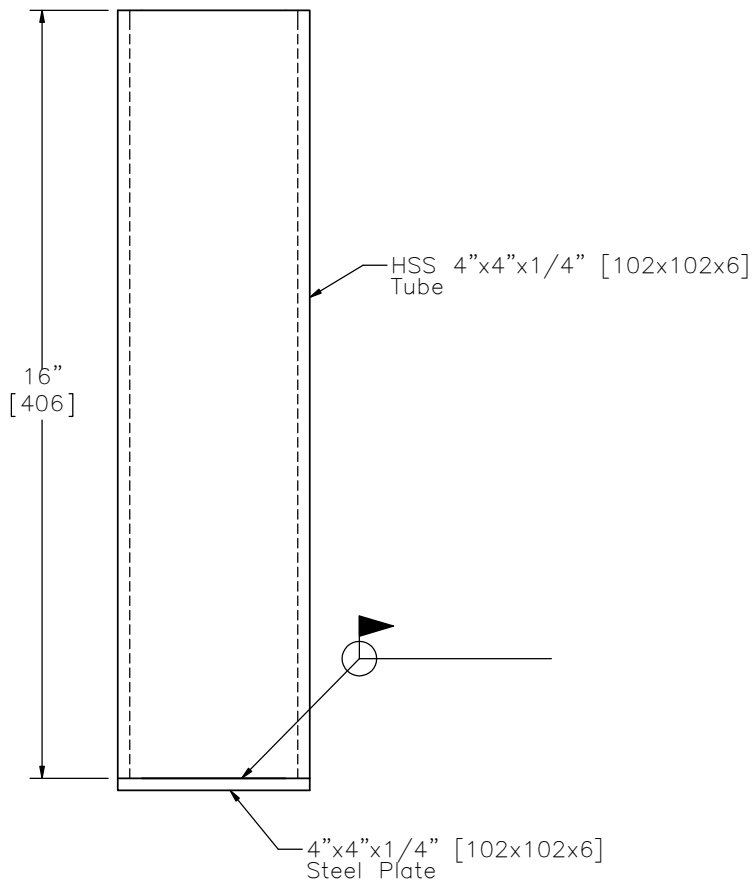
PTF02a-d

SHEET NO.

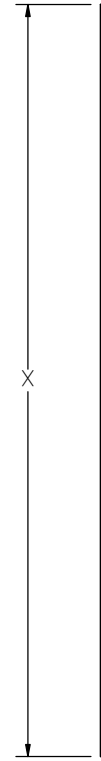
DATE:

2 of 3

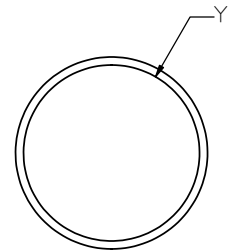
12/6/2016



SOCKET



A1-A4



B1-B2

BILL OF BARS

	Bar No.	No.	Length (X)	Inside Diameter (Y)	Material
A1	4	4	33" [838]	-	ASTM A615/A706/A420 Gr. 60
A2	4	4	57" [1448]	-	ASTM A615/A706/A420 Gr. 60
A3	4	4	27" [656]	-	ASTM A615/A706/A420 Gr. 60
A4	4	4	47" [1194]	-	ASTM A615/A706/A420 Gr. 60
B1	4	8 for a 12 for b	-	8" [203]	ASTM A615/A706/A420 Gr. 60
B2	4	8 for c 10 for d	-	11" [279]	ASTM A615/A706/A420 Gr. 60

SOCKETED FOUNDATIONS FOR S3X5.7 POSTS IN SOIL



PTF02a-d

SHEET NO.

DATE:

3 of 3

12/6/2016