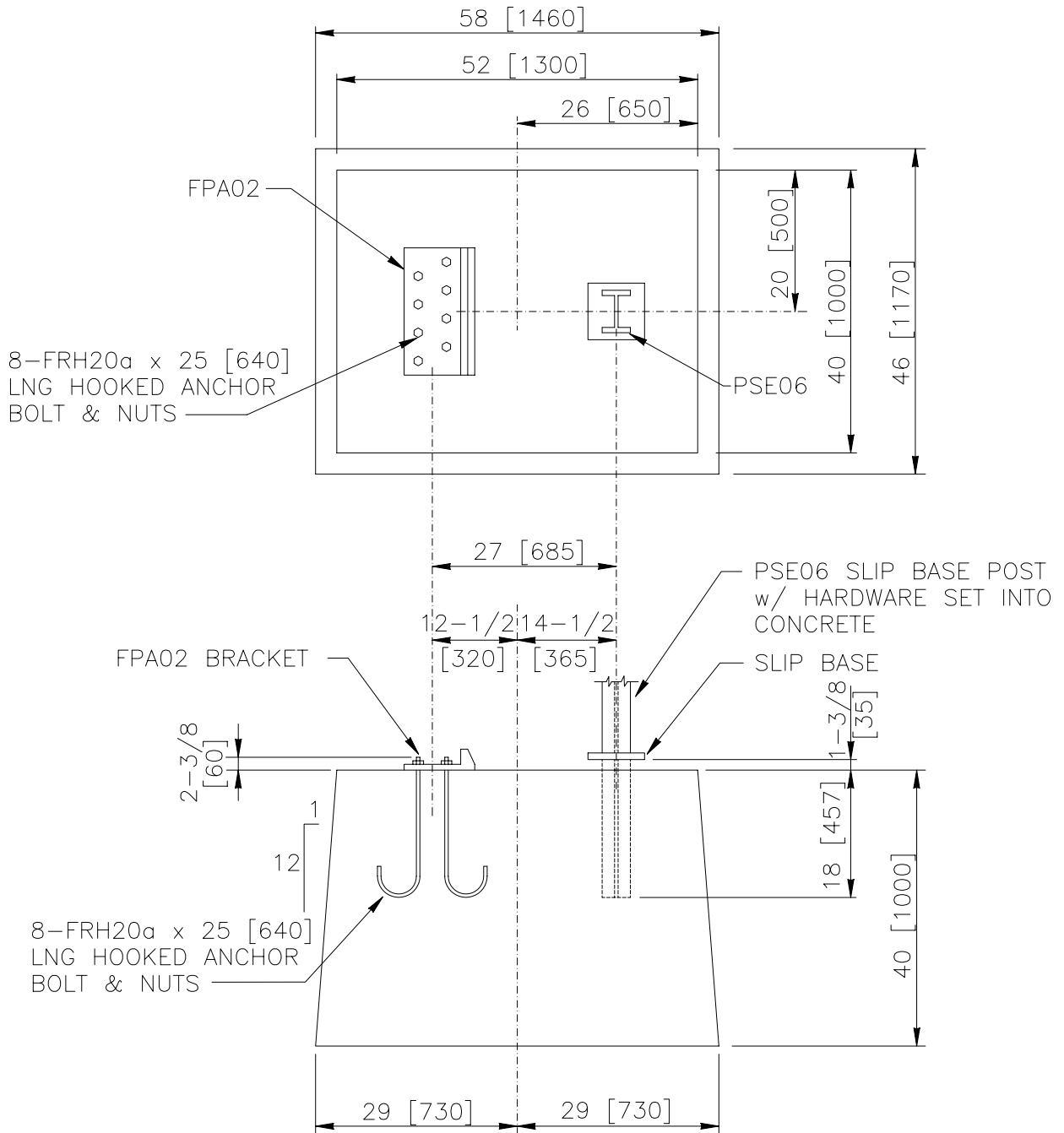


- NOTES:
1. PLACE ANCHORS SO THE TOPS ARE LEVEL; WARP SLOPE TO FIT.
 2. THE ANCHOR MAY BE CAST AS EITHER ONE OR TWO UNITS AND IT MAY BE CAST IN PLACE OR PRECAST.
 3. THE CONCRETE ANCHOR BLOCK DOES NOT REQUIRE REINFORCEMENT.



1994

CABLE GUARDRAIL TERMINAL ANCHOR ASSEMBLY

POF03

SHEET NO.

DATE:

1 of 2

8/11/2005

SPECIFICATIONS

The concrete foundation assembly for the SEC01 cable guardrail terminal may be cast-in-place as one piece or precast as two pieces for ease of installation. The unreinforced anchor shall be made using a concrete suitable for complete embedment in soil.

The anchor assembly shall include eight 25-inch [640-mm] long FRH20a hooked anchor bolts and the base of the PSE06 slip-base post embedded in the concrete. One FPA02 anchor plate and the top portion of the PSE06 slip-base anchor post shall also be provided as a part of this assembly.

Dimensional tolerances not shown or implied are intended to be those consistent with the proper functioning of the part, including its appearance and accepted manufacturing practices.

INTENDED USE

The cable guardrail terminal anchor assembly is an integral part of the SEC01 cable guardrail terminal. Three RCE03 cable end fittings pass through the slots on the top of post PSE06 and are secured to the FPA02 cable guardrail anchor bracket.

CABLE GUARDRAIL TERMINAL ANCHOR ASSEMBLY

POF03

SHEET NO.

DATE

2 of 2

8/11/2005