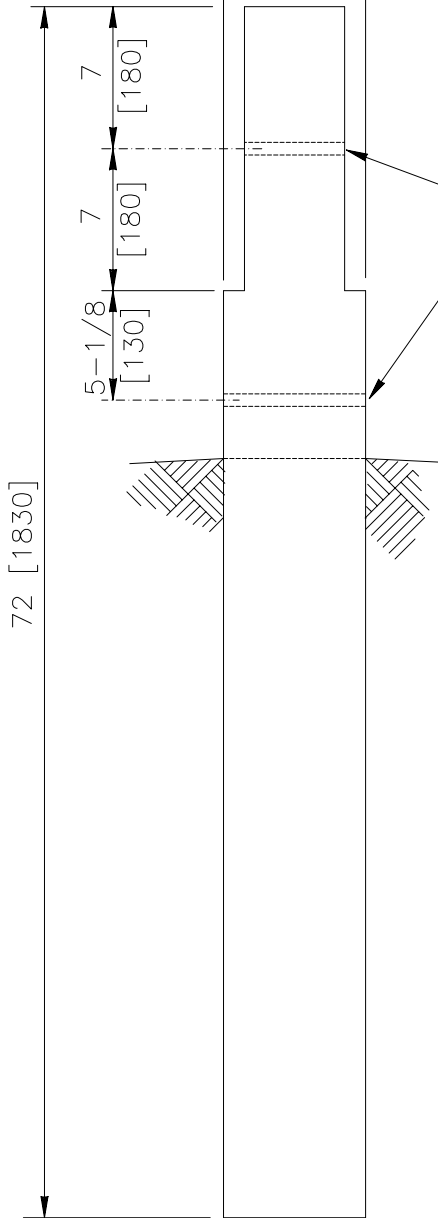
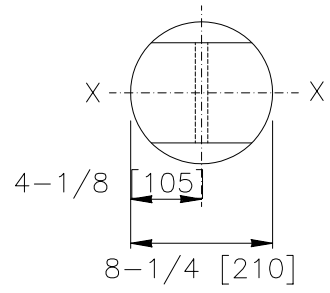
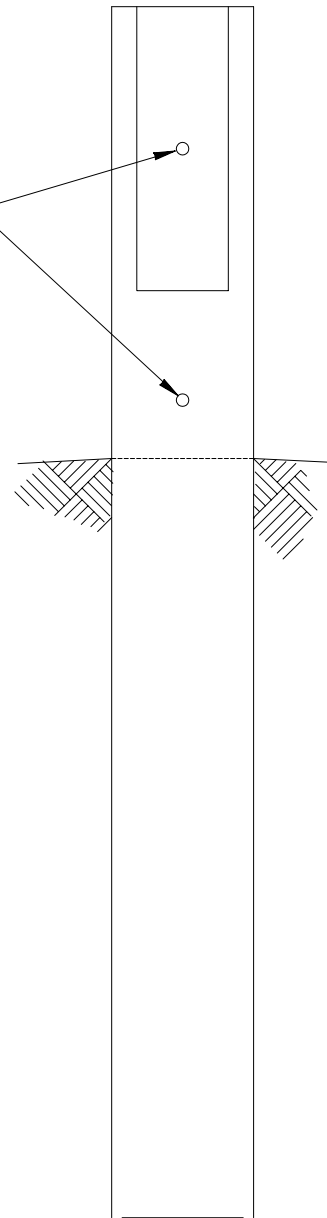


1-3/16 [30] 6 [150] 1-3/16 [30]
MIN



3/4 [20] D HOLES



SIDE

FRONT

1994

STRONG ROUND TIMBER MEDIAN BARRIER POST

PDE14

SHEET NO.

DATE:

1 of 2

7/06/2005

SPECIFICATIONS

Round timber median barrier posts shall be manufactured using material that conforms to Section 5 of ANSI O5.1. The posts shall be turned to a constant diameter not less than ¼ inch [6 mm] under the nominal diameter. The posts shall be trimmed to length and shall have flat tops and bottoms

All timber shall receive a preservation treatment in accordance with AASHTO M 133 after all end cuts are made and holes are drilled.

Designator	Area in ² [10 ³ mm ²]	I _x in ⁴ [10 ⁶ mm ⁴]	I _y in ⁴ [10 ⁶ mm ⁴]	S _x in ³ [10 ³ mm ³]	S _y in ³ [10 ³ mm ³]
PDE14	53.6 [34.6]	229.4 [95.5]	229.4 [95.5]	55.5 [909]	55.5 [909]

Dimensional tolerances not shown or implied are intended to be those consistent with the proper functioning of the part, including its appearance and accepted manufacturing practices.

INTENDED USE

This post may be used in the SGM04b strong-post W-beam median barrier. A guardrail blockout rests in each 14 inch [360 mm] deep notch. A RWM02a W-beam guardrail is attached to each side of the post and blockouts using an FBB05 bolt, FWC16a washer, and nut.

STRONG ROUND TIMBER MEDIAN BARRIER POST

PDE14

SHEET NO.

DATE

2 of 2

7/13/2005