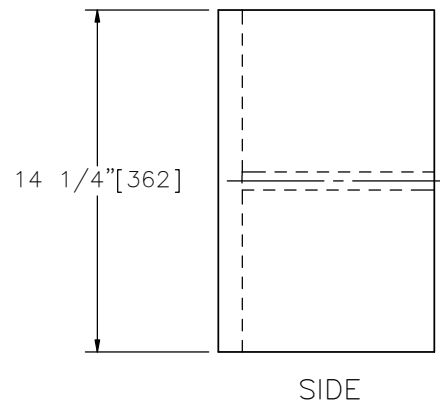
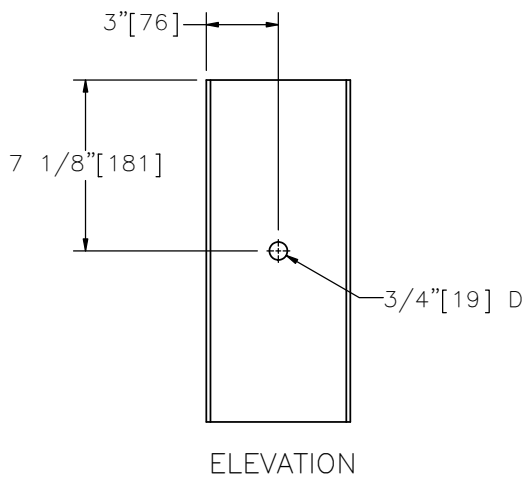
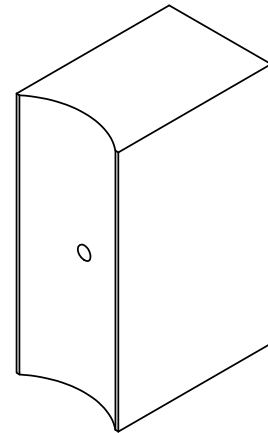
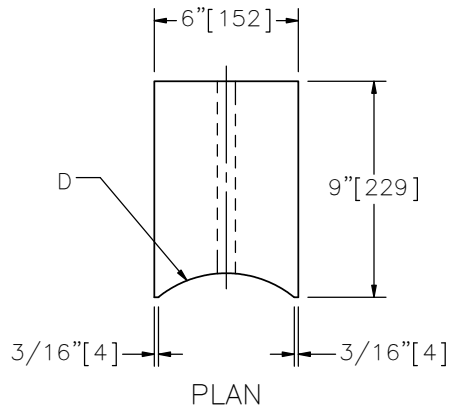
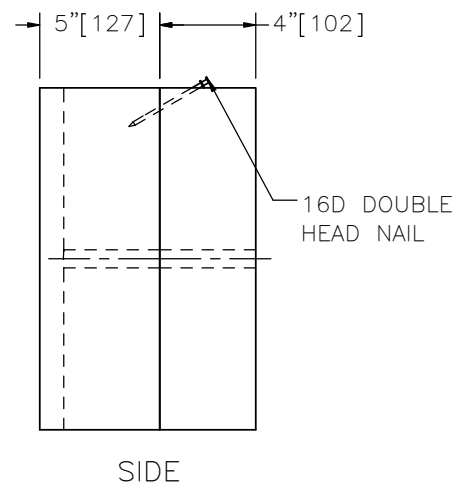
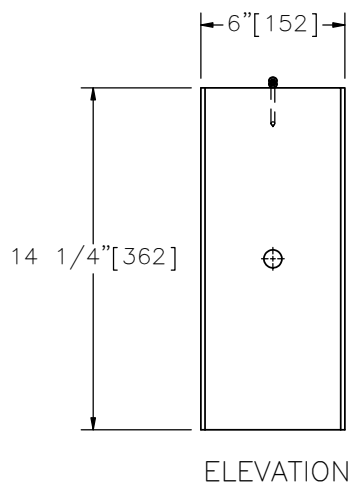


Designator	System	Route Diameter, D	Wood Blockout Type
PDB23a-b	SGR04e	9" [229]	Ponderosa Pine
PDB24a-b	SGR04d	9 1/8" [232]	Ponderosa Pine



PDB23a AND PDB24a



PDB23b AND PDB24b-OPTIONAL BUILT-UP BLOCKOUT

BLOCKOUTS FOR G4(2W) ROUND POST APPLICATIONS



PDB23a-24b

SHEET NO.

DATE:

1 of 2

8/13/2016

SPECIFICATIONS

Blockouts shall be made of timber with a stress grade of at least 1,160 psi [8 MPa]. Grading shall be in accordance with the rules of the West Coast Lumber Inspection Bureau, Southern Pine Inspection Bureau, or other timber association. Timber for blockouts shall be either rough sawn (un-planed) or S4S (surface 4 sides) with nominal dimensions as indicated. The variation in size of the blockout in the direction parallel with the axis of the bolt shall not be more than 1/4" [6]. Only one type of surface finish shall be used for posts and blockouts in any one continuous length of guardrail.

All timber shall receive a preservation treatment in accordance with AASHTO M-133 after all end cuts are made and holes are drilled.

Dimensional tolerances not shown or implied are intended to be those consistent with the proper functioning of the part, including its appearance and accepted manufacturing practices.

The blockouts shall conform to the following regulations:

Designator	Wood Type	Height	Depth	Width	Diameter of Routing, D
PDB23a-b	Ponderosa Pine	14 1/4" [362]	9" [229]	6" [152]	9" [229]
PDB24a-b	Ponderosa Pine	14 1/4" [362]	9" [229]	6" [152]	9 1/8" [232]

INTENDED USE

This blockout is used with the round wood post (PDE21-22) in the Strong-Post W-Beam Guardrail with Round Wood Posts (SGR04d-e).

CONTACT INFORMATION

Midwest Roadside Safety Facility
Nebraska Transportation Center
University of Nebraska-Lincoln
130 Whittier Research Center
2200 Vine Street
Lincoln, NE 68583-0853
(402) 472-0965
Email: mwrfsf@unl.edu
Website: <http://mwrfsf.unl.edu>

BLOCKOUTS FOR G4(2W) ROUND POST APPLICATIONS



PDB23a-24b

SHEET NO.

DATE:

2 of 2

8/13/2016