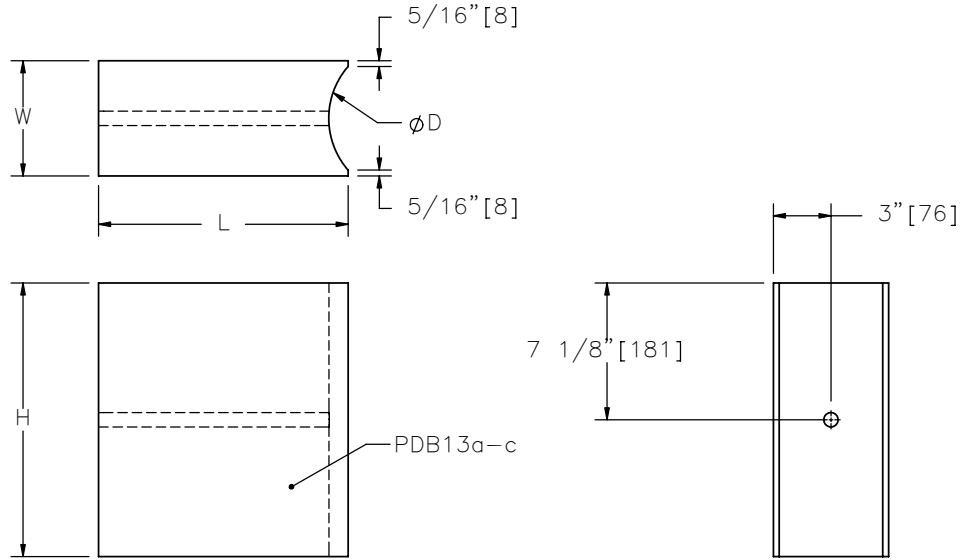
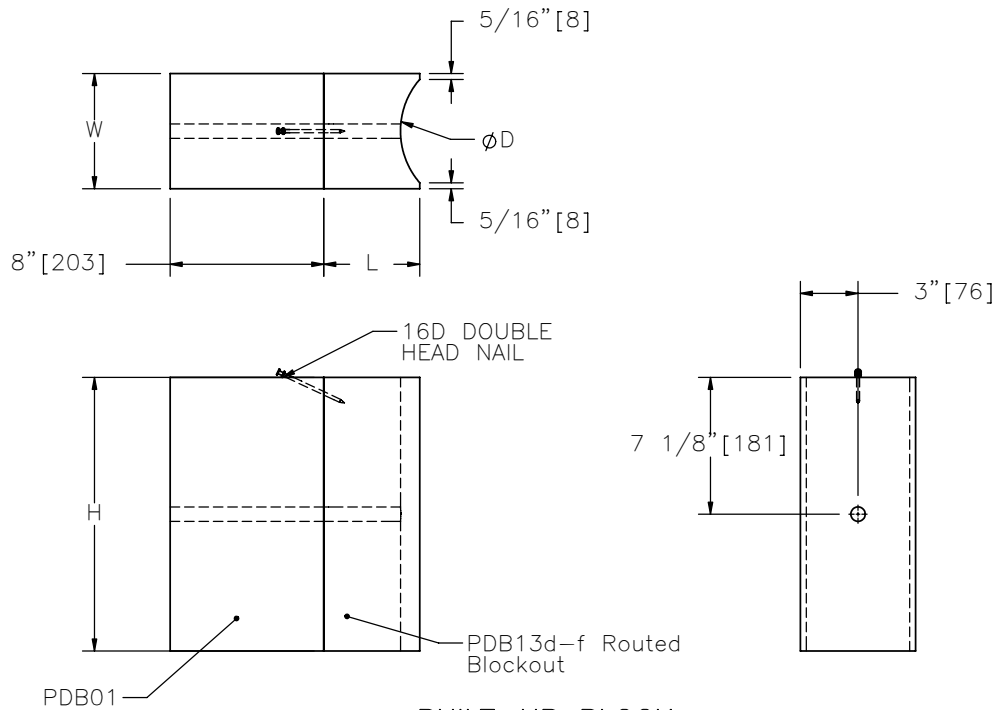


Designator	D	L	W	H	Wood Post Type
PDB13a	4.0" [102]	13.0" [330]	6.0" [152]	14.25" [362]	Douglas Fir
PDB13b	4.375" [111]	13.0" [330]	6.0" [152]	14.25" [362]	Ponderosa Pine
PDB13c	4.125" [105]	13.0" [330]	6.0" [152]	14.25" [362]	Southern Yellow Pine
PDB13d	4.0" [102]	5.0" [127]	6.0" [152]	14.25" [362]	Douglas Fir
PDB13e	4.375" [111]	5.0" [127]	6.0" [152]	14.25" [362]	Ponderosa Pine
PDB13f	4.125" [105]	5.0" [127]	6.0" [152]	14.25" [362]	Southern Yellow Pine



Routed Block



Built-Up Block

MGS BLOCKOUTS FOR MGS ROUND POST APPLICATIONS



PDB13a-f

SHEET NO.

DATE:

1 of 2

8/30/2007

## SPECIFICATIONS

Blockouts shall be made of timber with a stress grade of at least 1,160 psi [8 MPA]. Grading shall be in accordance with the rules of the West Coast Lumber Inspection Bureau, Southern Pine Inspection Bureau, or other timber association. Timber for blockouts shall be either rough sawn (un-planed) or S4S (surface 4 sides) with nominal dimensions as indicated. The variation in size of the blockout in the direction parallel with the axis of the bolt shall not be more than 1/4"[6]. Only one type of surface finish shall be used for posts and blockouts in any one continuous length of guardrail.

All timber shall receive a preservation treatment in accordance with AASHTO M-133 after all end cuts are made and holes are drilled.

Dimensional tolerances not shown or implied are intended to be those consistent with the proper functioning of the part, including its appearance and accepted manufacturing practices.

The blockouts shall conform to the following regulations:

Component	Wood Type	Height	Depth	Width	Diameter of Routing
PDB??a	Douglas Fir	14.25" [362]	13" [330]	6" [152]	4" [102]
PDB??b	Ponderosa Pine	14.25" [362]	13" [330]	6" [152]	4.375" [111]
PDB??c	Southern Yellow Pine	14.25" [362]	13" [330]	6" [152]	4.125" [105]

## INTENDED USE

This blockout is used with round wood post PD???, PD???, or PD??? in the SGR20c strong-post guardrail, median barrier and transitions (??).

## MGS BLOCKOUTS FOR MGS ROUND POST APPLICATIONS

**PDB13a-f**

SHEET NO.

DATE:

2 of 2

8/30/2007

