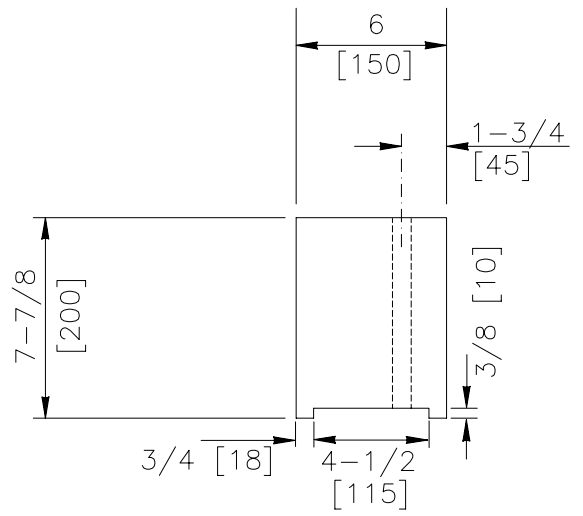
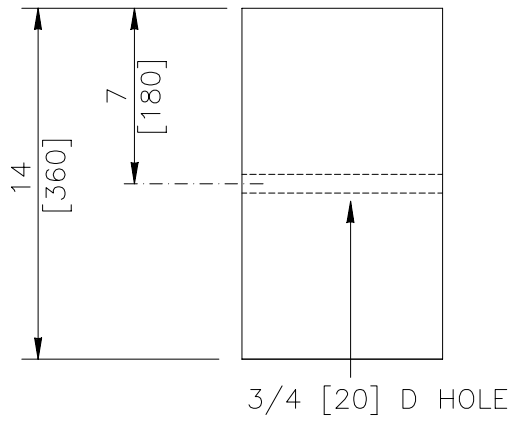


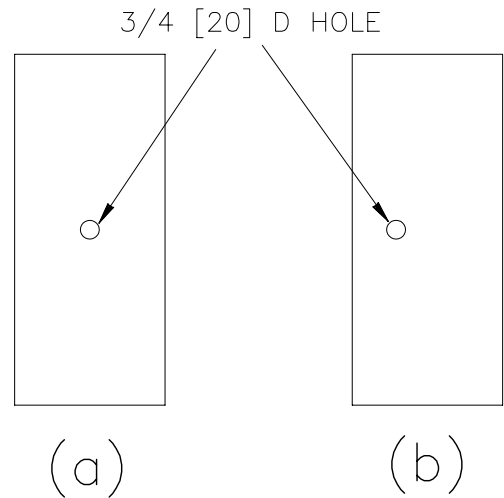
PLAN (a)



PLAN (b)



SIDE



FRONT

1994

W-BEAM TIMBER BLOCKOUT

PDB01a-b

SHEET NO.	DATE:
1 of 2	6/30/2005

SPECIFICATIONS

Blockouts shall be made of timber with a stress grade of at least 1160 psi [8 MPa]. Grading shall be in accordance with the rules of the West Coast Lumber Inspection Bureau, Southern Pine Inspection Bureau, or other appropriate timber association. Timber for blockouts shall be either rough-sawn (unplaned) or S4S (surfaced four sides) with nominal dimensions indicated. The variation in size of blockouts in the direction parallel to the axis of the bolt holes shall not be more than $\pm \frac{1}{4}$ inch [6 mm]. Only one type of surface finish shall be used for posts and blockouts in any one continuous length of guardrail.

All timber shall receive a preservation treatment in accordance with AASHTO M 133 after all end cuts are made and holes are drilled.

Dimensional tolerances not shown or implied are intended to be those consistent with the proper functioning of the part, including its appearance and accepted manufacturing practices.

INTENDED USE

Blockout PDB01a is used with wood post PDE01 or PDE02 in the SGR04b strong-post W-beam guardrail and the SGM04b median barrier. Blockout PDB01b is routed to be used with steel post PWE01 or PWE02 in the SGR04c guardrail and the SGM04a median barrier.

W-BEAM TIMBER BLOCKOUT

PDB01a-b

SHEET NO.

DATE

2 of 2

7/06/2005