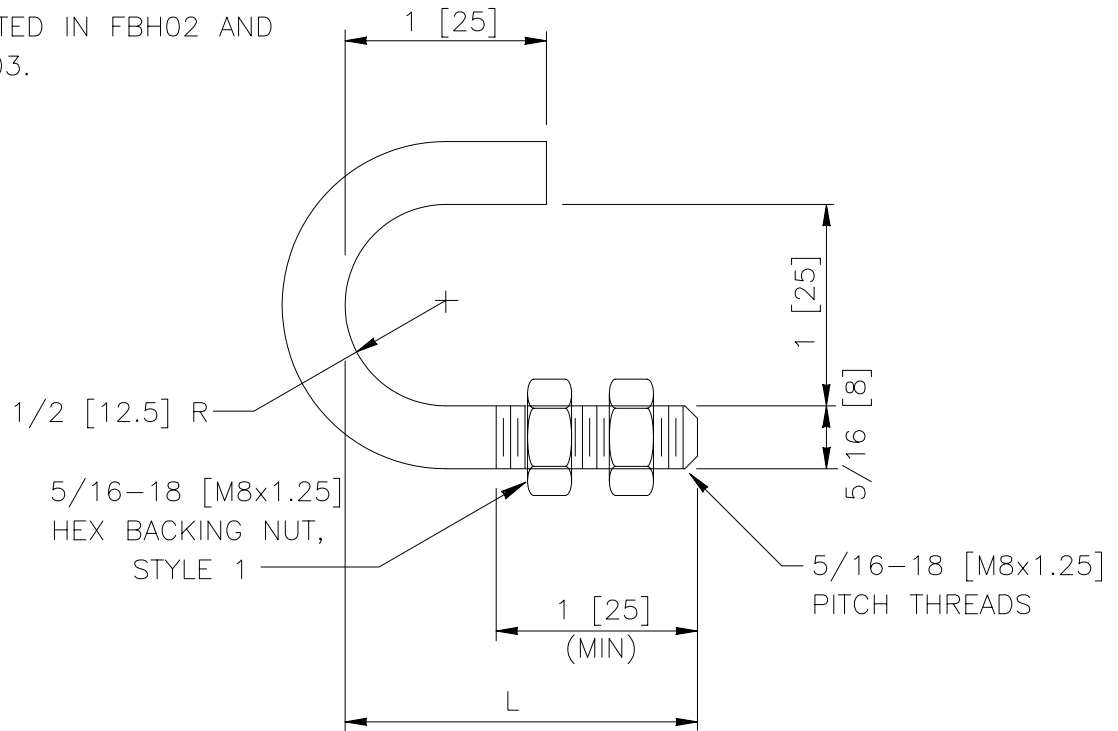
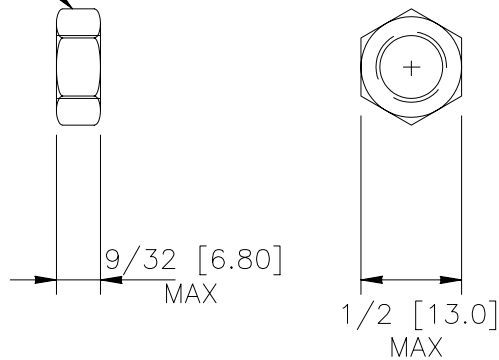


NOTE: A BACKING NUT MAY BE OMITTED IN FBH02 AND FBH03.



DESIGNATOR	L
FBH01	1.75 [45]
FBH02	4.5 [115]
FBH03	7 [180]

5/16-18 [M8x1.25]
HEX NUT, STYLE 1



1994

CABLE HOOK BOLT AND NUT

FBH01-03

SHEET NO.

DATE:

1 of 2

03/24/05

SPECIFICATIONS

Hook bolts shall have 5/16-18 [M8x1.25] threads as defined in ANSI B1.1 [ANSI B1.13M] for Class 2AG [Class 7g] threads. Material for galvanized bolts shall be ASTM A307 Grade A [ASTM F 568M Class 4.6], with a tensile strength of 60 ksi [400 MPa] and yield strength of 36 ksi [240 MPa]. Corrosion-resistant bolts shall be manufactured from ASTM A325 Type 3 [ASTM F 568M Class 8.8.3] material, with tensile strength of 120 ksi [830 MPa] and yield strength of 92 ksi [660 MPa]. The end of a metric hook bolt shall be marked with the symbol “4.6” if galvanized and “8.8.3” if manufactured with corrosion-resistant steel as specified in ASTM F 568 Section 9. The hook bolts shall conform to the dimensions and tolerances given in IFI 524 for round bend hook bolts. Bolts, as installed, shall develop an ultimate hook pull-open strength of from 500 to 1000 pounds [2 to 4.5 kN] applied in a direction normal to the longitudinal axis of the post.

Nuts shall be manufactured according to the dimensions and tolerances in ANSI B18.2.2 [ANSI B18.2.4.1M Style 1] for hex nuts. Threads shall be 5/16-18 [M8x1.25] Class 2B [Class 6h] as defined in ANSI B1.1 [ANSI B1.13M]. Galvanized nuts shall be manufactured using material conforming to AASHTO M 291 (ASTM A 563) Grade A [AASHTO M 291M (ASTM A 563M) Class 5]. Corrosion-resistant nuts shall be manufactured using AASHTO M 291 (ASTM A 563) Grade C3 [AASHTO M 291M (ASTM A 563M) Class 8S3] material.

Galvanized bolts and nuts shall be finished according to AASHTO M 232 (ASTM A 153/A 153M) for Class C or AASHTO M 298 (ASTM B 695) for Class 50. If galvanized, the threads shall be overtapped as specified in AASHTO M 291 (ASTM A 563) [AASHTO M 291 (ASTM A 563M)].

Designator	Stress Area (in ² [mm ²])	Min. Tensile Strength (kips [kN])
FBH01-03	0.0524 [36.6]	3.1 [14.6]

Dimensional tolerances not shown or implied are intended to be those consistent with the proper functioning of the part, including its appearance and accepted manufacturing practices.

INTENDED USE

This hook bolt is used for fastening wire ropes RCM01 to wood posts PDE10 and PDE11 and steel posts PSE01, PSE02 and PFE01 in the SGR01a-c family of guardrails.

CABLE HOOK BOLT AND NUT

FBH01-03

SHEET NO.

DATE

2 of 2

6/30/2005